



PIAGGIO & C.s.p.a.

Vespa[®]

SPARE PARTS CATALOGUE



Vespa ET4 150 Leader

Chassis prefix: ZAPM190000000001

Engine prefix:

Index

Products.....	4
Part reference.....	5
Electrical equipment.....	11
Drawing T41 - Electrical device.....	11
Drawing T42 - Headlamp.....	12
Drawing T44 - Rear tail lamp.....	13
Drawing T45 - Electrical device.....	14
Drawing T46 - Electrical device.....	15
Engine.....	16
Drawing T1 - Engine.....	16
Drawing T10 - Oil filter.....	17
Drawing T11 - Driven pulley.....	18
Drawing T12 - Oil pump-oil pan.....	19
Drawing T13 - Rear wheel shaft.....	21
Drawing T14 - Driving half pulley.....	22
Drawing T15 - Electric starter.....	23
Drawing T16 - Kickstarter-crankcase cooling.....	24
Drawing T17 - Flywheel magneto.....	26
Drawing T17/A - Secondary air box.....	27
Drawing T18 - Brake lever.....	28
Drawing T19 - Carburettor.....	29
Drawing T2 - Crankcase.....	30
Drawing T20 - Carburettor (Walbro-Keihin).....	31
Drawing T20/A - Carburettor (Dell'Orto).....	33
Drawing T21 - Carburettor.....	35
Drawing T23 - Catalytic.....	36
Drawing T3 - Crankshaft.....	38
Drawing T4 - Cylinder-piston-wrist pin, assy.....	39
Drawing T5 - Cylinder head-valves.....	40
Drawing T6 - Rocker levers support.....	41
Drawing T7 - Cilinder head.....	42
Drawing T8 - Oil drain.....	43
Drawing T9 - Chain tightener-by-pass valve.....	44
Handlebars.....	45
Drawing T37 - Speedometers kms.-handlebar covers.....	45
Drawing T38 - Handlebars component parts.....	47
Drawing T39 - Handlebars component parts.....	48
Transmissions.....	50
Drawing T34 - Disc brake caliper.....	50
Drawing T40 - Transmissions.....	51
Suspensions-Wheels.....	52
Drawing T33 - Steering column-disc brake.....	52
Drawing T35 - Front damper cover.....	53



Drawing T36 - Rear damper.....	55
Drawing T47 - Front wheel.....	56
Drawing T48 - Rear wheel.....	57
Chassis.....	58
Drawing T22 - Air cleaner.....	58
Drawing T24 - Central stand-swinging arm.....	59
Drawing T25 - Chasis.....	60
Drawing T26 - Footrest-rubber mats.....	65
Drawing T27 - Front glove compartment.....	66
Drawing T28 - Fuel tank.....	69
Drawing T29 - Case helmet.....	70
Drawing T30 - Saddle.....	71
Drawing T31 - Front and rear mudguard.....	72
Drawing T32 - Steering bearing ball tracks.....	73
Drawing T43 - Rear guard.....	74



Products

Code	Validity
------	----------

no products



Code	Drawing Nr.	Pos.	Code	Drawing Nr.	Pos.	Code	Drawing Nr.	Pos.
000267	T17	6	016410	T24	2	182546	T33	7
000674	T13	16	016626	T36	5	182546	T48	7
002613	T39	24	018538	T6	17	184142	T27	7
003056	T31	8	018575	T17	11	184142	T29	13
003056	T43	9	018575	T2	10	185802	T37	12
003056	T46	6	018583	T23	13	185802	T41	18
003058	T34	17	018591	T43	15	194423	T48	5
003058	T36	3	018640	T22	6	196868	T28	11
003751	T32	6	018640	T31	6	199190	T16	27
005955	T38	15	020008	T36	1	199190	T25	4
005955	T39	18	020008	T38	17	199190	T26	8
006410	T11	19	020104	T43	13	216209	T35	13
006416	T16	13	020105	T39	25	2188235	T46	2
006422	T33	24	020108	T35	11	219528	T42	1
006635	T16	20	020108	T35	20	223605	T39	1
006635	T33	9	020206	T39	26	231590	T7	11
006652	T13	4	021108	T36	14	232108	T24	10
006731	T33	17	021114	T33	5	232108	T24	4
006965	T23	5	021210	T35	14	232108	T36	6
006966	T33	14	030034	T38	12	239388	T16	22
006968	T34	8	030115	T24	14	239388	T2	9
006975	T17	2	031058	T34	12	239397	T5	16
006975	T34	11	031091	T15	1	241937	T41	13
008080	T25	27	031091	T7	6	250521	T42	8
008080	T29	9	031120	T34	9	250521	T44	12
008080	T43	8	031120	T35	18	250522	T44	9
008108	T25	20	077023	T32	4	252420	T27	13
008432	T25	10	077024	T32	3	252945	T41	6
008432	T44	13	085285	T20/A	18	252945	T46	9
008457	T39	12	109960	T16	14	253937	T45	17
012528	T41	2	109960	T19	6	254485	T16	18
012528	T41	8	109960	T29	4	254485	T17/A	6
012533	T22	5	109960	T40	7	254485	T22	2
012533	T31	5	119219	T33	18	254485	T25	21
012535	T35	16	122781	T24	1	254485	T26	5
012543	T39	11	123394	T38	2	254485	T27	14
012789	T33	8	123394	T39	17	254485	T27	9
012789	T48	6	127927	T40	5	254485	T28	15
013755	T41	23	128009	T39	15	254485	T29	5
013763	T43	11	129953	T44	5	254485	T30	14
013769	T37	9	137146	T33	16	254485	T31	4
013769	T44	10	145298	T16	16	257301	T28	4
013861	T23	15	145298	T19	10	257302	T28	3
013880	T27	15	145298	T40	8	257403	T28	6
013880	T30	15	147511	T39	26	257614	T27	10
015330	T39	13	149104	T35	9	257617	T27	11
015558	T46	4	174088	T35	15	258146	T16	9
015715	T30	3	177408	T33	21	258146	T17/A	3
015729	T44	7	177414	T33	3	258146	T22	7
015760	T17/A	2	177436	T34	5	258146	T38	11
015835	T7	4	177442	T33	11	258160	T28	17
015856	T41	16	177443	T33	12	258161	T28	2
015900	T31	9	177445	T33	22	258249	T27	17
015911	T25	26	177451	T33	19	258403	T45	13
015911	T30	11	177494	T34	4	258536	T22	9
015911	T40	18	177521	T33	23	259151	T17	1
015996	T44	11	177609	T33	6	259349	T27	8
016195	T23	17	177610	T33	10	259349	T29	12
016404	T43	12	178149	T36	2	259349	T41	22
016405	T23	4	178150	T36	11	259349	T43	7
016406	T30	6	178790	T39	16	259372	T29	15
016406	T41	21	179575	T28	5	259830	T29	6
016406	T46	5	179640	T40	9	259830	T29	7
016408	T23	14	181746	T42	7	259830	T30	13
016408	T35	10	181746	T44	2	259830	T30	4
016408	T35	19	182302	T27	20	259832	T28	18
016408	T36	13	182302	T29	16	261319	T24	17



Code	Drawing Nr.	Pos.	Code	Drawing Nr.	Pos.	Code	Drawing Nr.	Pos.
265249	T38	4	290402	T46	10	4272005087	T37	3
265451	T40	4	290405	T27	19	4272005090	T37	3
265809	T43	6	290405	T29	8	4272005095	T37	3
266724	T18	15	290860	T41	7	42720050A7	T37	3
266725	T18	2	292022	T42	4	42720050B2	T37	3
266841	T34	13	292022	T43	3	42720050D1	T37	3
267038	T36	12	293549	T45	5	42720050F1	T37	3
267115	T37	2	293550	T45	3	42720050R2	T37	3
267115	T42	6	293556	T25	24	42720050R3	T37	3
267166	T25	11	293571	T45	6	42720050R7	T37	3
267166	T44	6	293602	T44	8	42720050V6	T37	3
267818	T33	2	293845	T41	10	42740000AA	T37	4
267819	T34	15	293967	T44	4	42740000D9	T37	4
267837	T35	3	294067	T27	6	42740000F2	T37	4
267948	T38	3	294277	T42	11	42740000P1	T37	4
267958	T16	19	294278	T42	1	42740000V8	T37	4
267958	T25	3	294353	T42	3	42740000V9	T37	4
267958	T37	1	294354	T42	2	42740000VA	T37	4
268158	T36	8	294723	T45	2	4274005	T37	4
268172	T40	6	294748	T46	2	4274005060	T37	4
268596	T27	14	294829	T45	9	4274005066	T37	4
268596	T43	16	294835	T43	5	4274005087	T37	4
269118	T34	10	294877	T45	1	42740050A7	T37	4
269145	T39	7	295528	T27	12	42740050B2	T37	4
270310	T40	10	296230	T28	9	42740050D1	T37	4
270793	T26	7	296324	T7	5	42740050F1	T37	4
270793	T37	11	296456	T30	12	42740050R2	T37	4
270793	T38	10	297275	T27	5	42740050R3	T37	4
270991	T47	6	297276	T27	3	42740050R7	T37	4
270991	T48	8	297277	T27	2	42740050V6	T37	4
271147	T33	13	297498	T17/A	4	4274905	T37	4
271710	T25	28	298241	T26	2	4274955	T37	4
271779	T24	15	298242	T26	3	430264	T16	3
272492	T35	5	298243	T26	1	430350	T9	3
273099	T48	3	298548	T16	15	430585	T11	8
2736235	T18	1	298581	T45	15	430769	T8	5
2737115	T33	15	298604	T25	30	430770	T8	4
273754	T24	11	298620	T29	2	430771	T8	3
273779	T40	17	298731	T45	18	431089	T11	7
273847	T47	2	298838	T45	4	4310935	T11	9
273847	T48	1	298903	T45	16	431205	T16	28
273849	T47	2	299047	T29	10	431860	T15	6
273849	T48	1	299250	T25	15	431860	T16	23
274246	T11	18	299557	T25	13	432142	T2	3
274722	T35	4	299558	T25	12	432204	T14	11
277916	T12	6	299559	T25	14	432334	T23	16
277916	T2	12	299570	T28	1	432334	T36	4
277916	T5	10	299964	T25	8	432413	T20/A	8
285536	T10	3	299965	T25	9	432416	T20/A	24
285846	T5	1	411295	T2	2	433122	T23	18
287913	T12	14	411296	T5	13	433232	T11	13
288245	T31	1	411311	T2	7	433391	T14	8
288245	T35	12	414837	T12	13	433477	T12	7
288245	T43	10	414837	T12	25	433800	T23	10
288474	T10	7	414837	T12	33	433800	T23	3
288862	T20/A	10	414837	T12	4	433987	T16	12
288863	T20/A	7	414838	T6	9	434078	T2	4
288868	T20/A	21	42720000AA	T37	3	434345	T12	23
288881	T20/A	13	42720000D9	T37	3	434541	T41	12
289495	T16	2	42720000F2	T37	3	434541	T41	17
289575	T20/A	6	42720000P1	T37	3	434541	T45	11
289731	T16	11	42720000V8	T37	3	434541	T9	1
289731	T16	5	42720000V9	T37	3	434716	T23	11
289731	T18	12	42720000VA	T37	3	434716	T5	15
289731	T40	16	4272005	T37	3	434855	T14	2
289903	T20/A	29	4272005060	T37	3	434885	T14	5
289955	T32	5	4272005066	T37	3	435251	T16	7



Code	Drawing Nr.	Pos.	Code	Drawing Nr.	Pos.	Code	Drawing Nr.	Pos.
435571	T5	11	483261	T11	3	487968	T7	8
435629	T5	12	483539	T15	5	487989	T8	7
436438	T5	4	483706	T5	6	488008	T4	6
436695	T12	8	483707	T5	6	488009	T4	7
436783	T14	10	483711	T5	5	488010	T4	8
436783	T17	3	483767	T12	10	488012	T4	6
436788	T12	9	483776	T10	8	488013	T4	7
436919	T41	9	483783	T16	26	488014	T4	8
436947	T23	12	483784	T12	16	488016	T4	6
440785	T38	13	483841	T10	2	488017	T4	7
463195	T25	23	483914	T5	2	488018	T4	8
47210000AA	T25	25	483915	T5	3	494097	T34	2
47210000D9	T25	25	483918	T12	20	494511	T30	8
47210000F2	T25	25	483923	T9	5	494518	T37	5
47210000P1	T25	25	484033	T8	2	494521	T37	8
47210000V8	T25	25	484034	T2	8	494634	T30	10
47210000V9	T25	25	484123	T12	11	494921	T19	7
47210000VA	T25	25	484123	T6	12	494938	T34	2
4721005	T25	25	4843165	T16	10	494948	T39	3
4721005060	T25	25	484573	T7	7	494984	T1	3
4721005066	T25	25	484614	T5	8	494985	T1	2
4721005087	T25	25	484654	T6	2	497039	T39	3
4721005090	T25	25	484726	T16	8	498412	T19	7
4721005095	T25	25	484819	T6	1	498849	T34	7
47210050A7	T25	25	485047	T12	30	498850	T34	19
47210050B2	T25	25	485118	T14	7	56002R	T32	1
47210050D1	T25	25	485520	T4	9	56003R	T32	2
47210050F1	T25	25	485579	T4	9	560045	T24	3
47210050R2	T25	25	485580	T4	9	56008R	T39	2
47210050R3	T25	25	485587	T19	2	560284	T33	1
47210050R7	T25	25	485603	T4	1	560286	T34	6
47210050V6	T25	25	485603	T5	9	560565	T24	21
47220000AA	T25	2	485608	T16	24	560580	T38	5
47220000D9	T25	2	485655	T9	4	560582	T39	4
47220000F2	T25	2	485710	T14	3	560660	T47	1
47220000P1	T25	2	485868	T12	1	560661	T48	9
47220000V8	T25	2	4858795	T13	1	560671	T37	10
47220000V9	T25	2	485912	T13	13	56071R	T36	15
47220000VA	T25	2	485912	T13	5	56072R	T35	1
4722005	T25	2	486075	T10	1	561433	T33	4
4722005060	T25	2	486075	T10	9	561756	T35	6
4722005066	T25	2	486081	T2	5	561806	T40	2
4722005087	T25	2	486082	T12	17	562305	T35	17
4722005090	T25	2	486140	T17	4	562310	T24	22
4722005095	T25	2	486294	T4	6	562388	T47	1
47220050A7	T25	2	486295	T4	7	562389	T48	9
47220050B2	T25	2	486324	T11	16	562399	T38	16
47220050D1	T25	2	486331	T6	8	562401	T38	14
47220050F1	T25	2	486336	T6	7	562401	T39	9
47220050R2	T25	2	486339	T6	6	562427	T35	2
47220050R3	T25	2	486355	T4	8	562605	T24	20
47220050R7	T25	2	486954	T41	5	562887	T47	1
47220050V6	T25	2	486972	T17	9	562888	T48	9
478032	T14	9	486974	T6	10	562919	T31	10
478984	T13	8	4871265	T13	9	562923	T39	10
478985	T16	21	4871275	T13	2	563246	T34	3
479132	T22	8	487211	T13	7	563324	T36	7
479178	T23	6	487343	T12	5	563728	T48	4
479415	T11	5	487383	T13	12	563872	T35	21
479985	T12	27	487401	T22	3	563984	T24	23
479986	T12	28	487402	T22	4	563989	T39	19
480401	T23	2	487475	T48	10	564053	T34	14
482291	T40	14	487832	T6	14	564134	T18	4
482291	T40	15	487833	T6	15	564136	T18	3
482335	T4	4	487936	T11	11	564215	T18	14
483164	T5	14	487937	T12	29	564217	T40	11
483226	T11	2	487948	T13	11	564223	T24	7



Code	Drawing Nr.	Pos.	Code	Drawing Nr.	Pos.	Code	Drawing Nr.	Pos.
564257	T32	3	57645560AA	T25	1	598922	T35	1
564260	T32	4	57645560B2	T25	1	599312	T20/A	31
564627	T40	3	57645560D1	T25	1	599312	T40	12
564641	T38	8	57645560D9	T25	1	600351	T24	23
564642	T38	6	57645560F1	T25	1	601205	T48	10
564721	T12	32	57645560F2	T25	1	602263M	T7	9
5649775	T33	20	57645560P1	T25	1	638604	T41	1
573001	T25	6	57645560R3	T25	1	638853	T7	9
573002	T25	7	57645560R7	T25	1	709012	T23	15
573057	T27	15	57645560V6	T25	1	709037	T24	5
573124	T29	11	57645560V8	T25	1	709047	T34	16
573128	T29	10	57645560V9	T25	1	709047	T35	22
573225	T45	12	57645560VA	T25	1	709047	T47	3
573426	T45	8	576464	T25	5	709532	T19	8
573430	T45	12	576521	T37	13	709677	T19	3
573633	T30	2	576875	T28	14	812592	T30	7
57364000AA	T43	1	577081	T25	19	82120000AA	T27	4
57364000D9	T43	1	577082	T25	16	82120000D9	T27	4
57364000F2	T43	1	577124	T27	16	82120000F2	T27	4
57364000P1	T43	1	577545	T30	5	82120000P1	T27	4
57364000V8	T43	1	577557	T28	13	82120000V8	T27	4
57364000V9	T43	1	58002R	T41	20	82120000V9	T27	4
57364000VA	T43	1	580075	T46	11	82120000VA	T27	4
5736405	T43	1	580125	T43	14	8212005	T27	4
5736405060	T43	1	58034R	T45	9	8212005060	T27	4
5736405066	T43	1	58050R	T41	5	8212005066	T27	4
5736405087	T43	1	58057R	T45	5	8212005087	T27	4
5736405090	T43	1	58058R	T45	3	8212005090	T27	4
5736405095	T43	1	58059R	T17	7	8212005095	T27	4
57364050A7	T43	1	580621	T45	14	82120050A7	T27	4
57364050B2	T43	1	580653	T46	10	82120050B2	T27	4
57364050D1	T43	1	580953	T38	7	82120050D1	T27	4
57364050F1	T43	1	580953	T39	8	82120050F1	T27	4
57364050R2	T43	1	581051	T41	4	82120050R2	T27	4
57364050R3	T43	1	581248	T24	18	82120050R3	T27	4
57364050R7	T43	1	581249	T24	12	82120050R7	T27	4
57364050V6	T43	1	581309	T16	25	82120050V6	T27	4
574423	T29	1	581371	T43	14	82130000AA	T26	4
575079	T31	3	581554	T38	1	82130000D9	T26	4
575249	T25	22	581555	T39	14	82130000F2	T26	4
575249	T26	6	581633	T42	10	82130000P1	T26	4
575249	T27	18	581634	T42	9	82130000V8	T26	4
575249	T31	7	581635	T44	1	82130000V9	T26	4
575249	T35	8	581636	T44	3	82130000VA	T26	4
575320	T28	12	581693	T40	1	8213005	T26	4
575424000L	T27	2	5817164	T38	9	8213005060	T26	4
5754240060	T27	2	582151	T24	13	8213005066	T26	4
57542400D6	T27	2	5822514	T48	2	8213005087	T26	4
57542400M1	T27	2	582298	T24	16	8213005090	T26	4
57542400M2	T27	2	582787	T32	6	8213005095	T26	4
575425000L	T27	3	582828	T38	18	82130050A7	T26	4
5754250060	T27	3	582872	T40	12	82130050B2	T26	4
57542500D6	T27	3	582873	T39	22	82130050D1	T26	4
57542500M1	T27	3	583017	T41	1	82130050F1	T26	4
57542500M2	T27	3	583017	T42	2	82130050R2	T26	4
575887	T25	31	583248	T39	21	82130050R3	T26	4
576017	T29	11	583252	T39	20	82130050R7	T26	4
576250	T25	29	583280	T37	6	82130050V6	T26	4
576267	T16	17	583327	T39	23	82150000AA	T25	17
57645501	T25	1	583337	T46	3	82150000D9	T25	17
57645550R2	T25	1	584319	T46	3	82150000F2	T25	17
5764556060	T25	1	584427	T45	6	82150000P1	T25	17
5764556066	T25	1	584521	T46	3	82150000V8	T25	17
5764556087	T25	1	584810	T46	2	82150000V9	T25	17
5764556090	T25	1	584877	T43	17	82150000VA	T25	17
5764556095	T25	1	597150	T34	18	8215005	T25	17
57645560A7	T25	1	597150	T47	5	8215005060	T25	17

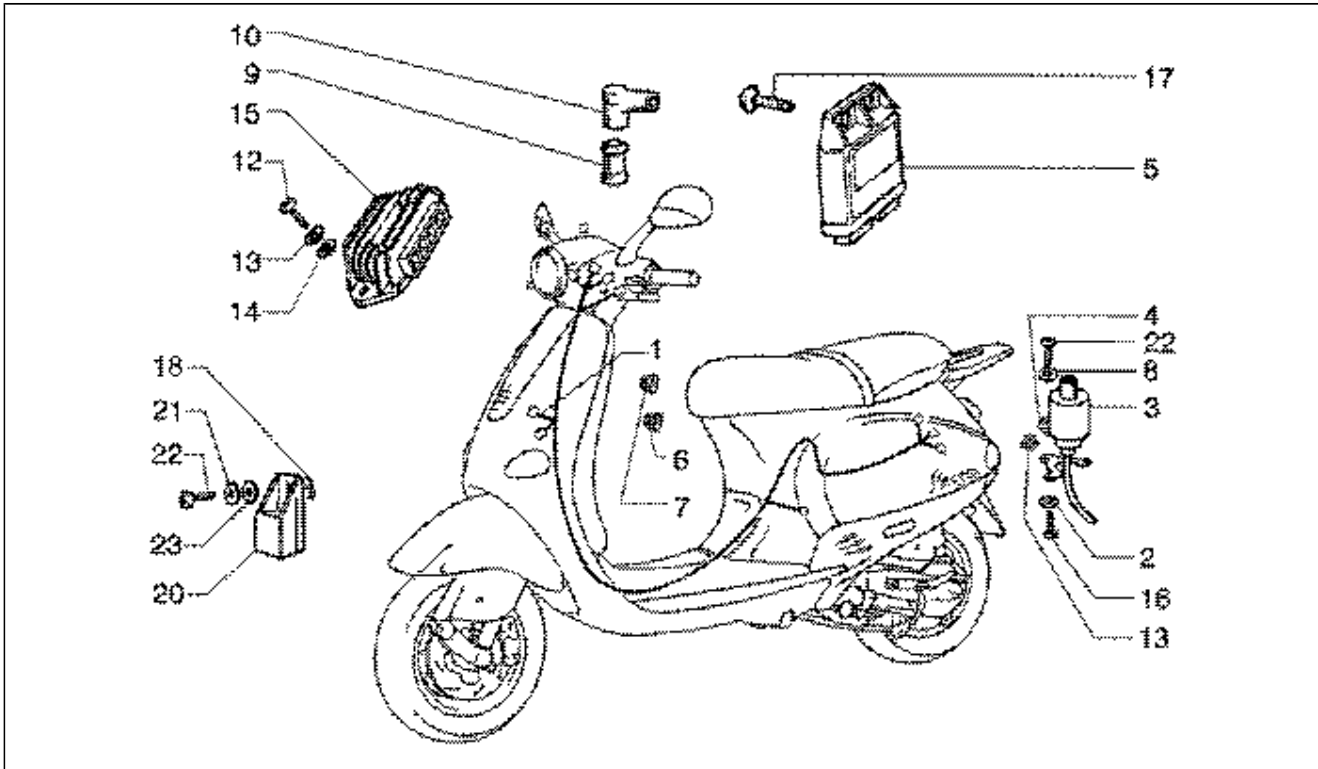


Code	Drawing Nr.	Pos.	Code	Drawing Nr.	Pos.	Code	Drawing Nr.	Pos.
8215005066	T25	17	82490050A7	T31	2	826826	T20	17
8215005087	T25	17	82490050B2	T31	2	826826	T21	12
8215005090	T25	17	82490050D1	T31	2	826827	T21	15
8215005095	T25	17	82490050F1	T31	2	826828	T21	14
82150050A7	T25	17	82490050R2	T31	2	82682R	T5	7
82150050B2	T25	17	82490050R3	T31	2	826836	T20	30
82150050D1	T25	17	82490050R7	T31	2	826839	T20	4
82150050F1	T25	17	82490050V6	T31	2	826843	T20	3
82150050R2	T25	17	82501R	T41	15	826844	T21	10
82150050R3	T25	17	82517R	T11	14	826846	T21	9
82150050R7	T25	17	82518R	T11	1	826857	T20	11
82150050V6	T25	17	825363	T6	4	826858	T21	8
82160000AA	T25	17	825364	T7	10	826866	T20	31
82160000D9	T25	17	825368	T7	1	826869	T20	17
82160000F2	T25	17	82538R	T12	22	826874	T13	10
82160000P1	T25	17	82538R	T3	2	826901	T20	6
82160000V8	T25	17	82539R	T13	15	8270280001	T4	5
82160000V9	T25	17	82540R	T3	1	8270280002	T4	5
82160000VA	T25	17	82541R	T13	3	8270280003	T4	5
8216005	T25	17	825420	T7	2	8270280004	T4	5
8216005060	T25	17	825421	T7	3	827029	T4	5
8216005066	T25	17	825426	T17	8	827030	T4	5
8216005087	T25	17	825430	T17	10	827031	T4	5
8216005090	T25	17	825481	T10	10	827041	T4	3
8216005095	T25	17	825495	T2	11	827085	T3	5
82160050A7	T25	17	825595	T12	19	827124	T22	1
82160050B2	T25	17	825620	T12	21	82731R	T17/A	7
82160050D1	T25	17	825643	T23	19	827386	T14	9
82160050F1	T25	17	825726	T11	10	827499	T11	6
82160050R2	T25	17	82572R	T17	7	82751R	T11	14
82160050R3	T25	17	82580R	T10	5	82753R	T11	3
82160050R7	T25	17	825952	T3	6	827608	T16	6
82160050V6	T25	17	82597R	T41	3	827611	T16	4
82170000AA	T35	7	826117	T23	7	827756	T12	12
82170000D9	T35	7	826118	T23	9	827761	T12	26
82170000F2	T35	7	82611R	T15	2	82777R	T5	8
82170000P1	T35	7	82612R	T15	3	827803	T19	2
82170000V8	T35	7	826165	T10	4	82783R	T12	16
82170000V9	T35	7	826176	T19	11	827855	T21	5
82170000VA	T35	7	82635R	T10	6	827856	T21	6
8217005	T35	7	826396	T6	16	827877	T11	17
8217005060	T35	7	82643R	T12	18	827902	T17	5
8217005066	T35	7	82649R	T12	15	827903	T17	4
8217005087	T35	7	82650R	T9	2	827919	T19	9
8217005090	T35	7	826768	T20	20	828135	T17	5
8217005095	T35	7	826770	T20	12	828146	T4	9
82170050A7	T35	7	826775	T21	13	828147	T4	9
82170050B2	T35	7	826778	T20	7	828148	T4	9
82170050D1	T35	7	826780	T20	29	82817R	T6	2
82170050F1	T35	7	826781	T20	22	82823R	T10	4
82170050R2	T35	7	826782	T20	21	828297	T3	7
82170050R3	T35	7	826783	T20	28	828303	T12	2
82170050R7	T35	7	826785	T20	16	828308	T12	3
82170050V6	T35	7	826786	T20	15	828424	T19	2
82490000AA	T31	2	826811	T20	14	828535	T23	5
82490000D9	T31	2	826812	T20	10	828583	T23	8
82490000F2	T31	2	826817	T20	8	828583	T23	9
82490000P1	T31	2	826818	T20	25	828583	T9	6
82490000V8	T31	2	826819	T20	24	828653	T8	6
82490000V9	T31	2	826820	T20	26	828662	T17	9
82490000VA	T31	2	826821	T20	2	828700	T19	5
8249005	T31	2	826822	T20	1	828800	T45	7
8249005060	T31	2	826823	T20	23	828831	T20	15
8249005066	T31	2	826824	T20	7	828844	T20	31
8249005087	T31	2	826824	T21	16	8288665	T7	9
8249005090	T31	2	826825	T20	8	828875	T12	24
8249005095	T31	2	826825	T21	17	829001	T19	5



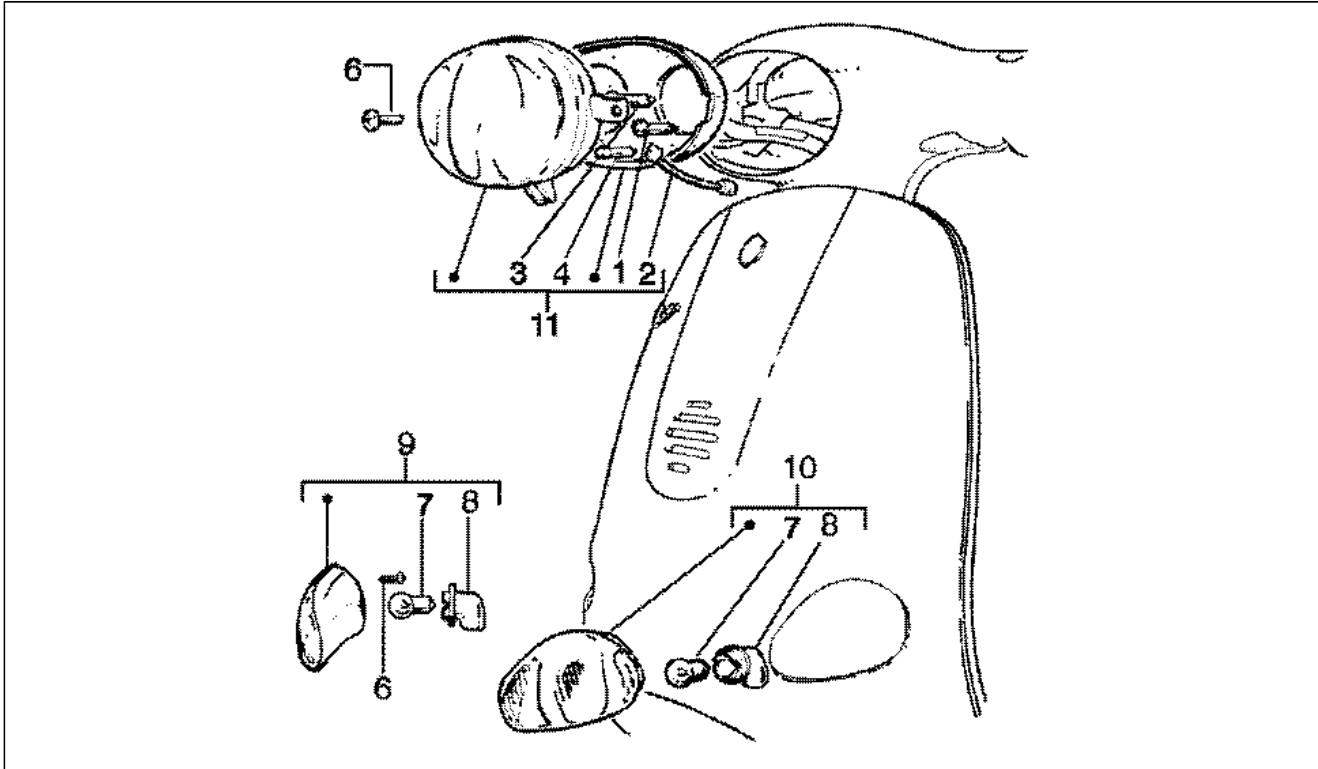
Code	Drawing Nr.	Pos.	Code	Drawing Nr.	Pos.	Code	Drawing Nr.	Pos.
829008	T8	1	843761	T12	12	CM106501	T20	24
829120	T29	3	844049	T11	14	CM106602	T20	27
8291335	T6	5	844116	T17/A	8	CM109704	T21	14
8291345	T6	13	844191	T23	13	CM109807	T20	13
829184	T11	12	8442905	T23	1	CM111204	T19	4
829416	T13	6	844352	T12	5	CM111205	T19	4
829523	T12	12	844483	T23	16	CM111501	T20/A	11
829526	T2	6	844483	T36	4	CM111601	T20/A	26
829661	T9	5	844641	T23	10	CM111604	T20/A	26
829854	T20/A	2	845395	T16	4	CM111701	T20/A	15
829856	T20/A	5	845635	T17/A	14	CM111713	T20/A	15
829857	T20/A	4	846819	T12	26	CM111801	T20/A	23
829858	T20/A	3	963486	T4	2	CM111901	T20/A	22
829859	T20/A	25	969348	T41	10	CM112101	T20/A	17
829860	T20/A	20	CM000402000N	T25	18	CM1136085001	T2	1
829864	T20/A	27	CM0004020036	T25	18	CM1136085002	T2	1
829865	T20/A	28	CM0009020054	T30	1	CM114101	T20/A	2
829866	T20/A	30	CM0009020055	T30	1	CM114303	T21	7
829871	T20/A	19	CM0009020056	T30	1	CM115001	T19	4
830056	T22	9	CM0009020061	T30	1	CM119401	T20/A	1
830128	T12	31	CM001215	T28	16	CM1217095001	T2	1
830212	T15	4	CM001904	T17/A	5	CM1217095002	T2	1
830284	T16	1	CM001904	T8	8	CM121901	T16	24
830453	T6	3	CM002902	T28	10	CM121907	T16	24
8304725001	T3	3	CM002904	T28	7	CM1269045	T1	1
8304725002	T3	3	CM00360200AA	T27	1	CM1280085001	T2	1
830487	T19	1	CM00360200D9	T27	1	CM1280085002	T2	1
830580	T11	4	CM00360200P1	T27	1	CM128502	T20/A	9
830584	T11	15	CM00360200V8	T27	1	CM129802	T20	6
830671	T13	10	CM00360200V9	T27	1	CM129915	T20	18
831259	T17/A	1	CM00360200VA	T27	1	CM140101	T20	9
831870	T23	1	CM0036025	T27	1	CM140207	T20	24
832023	T14	6	CM0036025060	T27	1	CM140402	T20	13
832061	T20/A	12	CM0036025066	T27	1	CM140501	T20	21
832130	T3	4	CM0036025087	T27	1	CM140903	T20	27
832703	T17/A	12	CM0036025090	T27	1	CM142904	T20	6
832943	T17/A	13	CM0036025095	T27	1	CM144005	T11	12
833308	T6	11	CM00360250A7	T27	1			
833697	T17	5	CM00360250B2	T27	1			
833701	T13	14	CM00360250D1	T27	1			
833722	T12	9	CM00360250F1	T27	1			
833802	T17/A	11	CM00360250R2	T27	1			
833821	T7	3	CM00360250R3	T27	1			
834226	T14	7	CM00360250R7	T27	1			
834473	T17/A	9	CM00360250V6	T27	1			
834476	T17/A	10	CM003802	T29	14			
8403285	T16	10	CM006104	T28	8			
840453	T20	16	CM0195010054	T30	1			
840489	T11	9	CM0195010056	T30	1			
840733	T13	10	CM0195010061	T30	1			
841213	T14	6	CM060912	T39	6			
841228	T16	4	CM060942	T39	6			
8412985001	T3	3	CM065907	T39	5			
8412985002	T3	3	CM066101	T34	1			
841782	T23	8	CM066902	T28	1			
841820	T23	6	CM071801	T45	9			
841821	T23	9	CM071804	T45	9			
842514	T20	28	CM075602	T28	1			
842517	T20	26	CM076101	T34	1			
842522	T20	10	CM1038015	T14	4			
842523	T20	11	CM103901	T14	1			
842526	T20	19	CM1040025	T1	1			
842530	T20	22	CM1040125	T1	1			
843213	T23	7	CM104901	T20	19			
843364	T12	26	CM105301	T20	9			
843443	T7	2	CM105401	T20	18			
843708	T16	4	CM106401	T20	5			

Assembly	Electrical equipment
Code	T41
Description	Electrical device
Revision	1



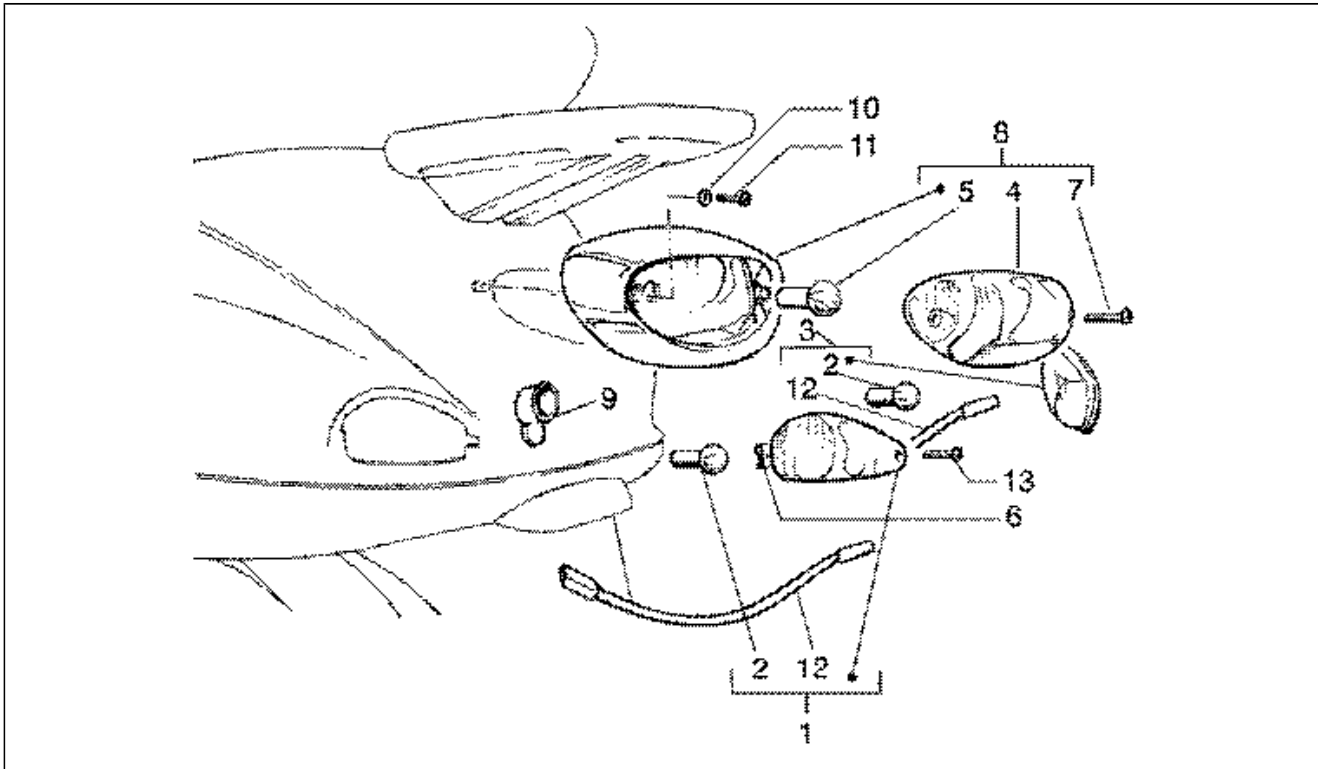
Pos.	Code	Description	Q.ty	Variants
1	583017	Cable harness	1	
1	638604	Cable harness	1	
2	012528	Washer	1	
3	82597R	HT coil+cable	1	
4	581051	Hose clamp	1	
5	486954	Device	1	
5	58050R	El. start device	1	
6	252945	Fuse 7,5A	3	
7	290860	Fuse 15A	1	
8	012528	Washer	1	
9	436919	Spark plug prot.collar	1	
10	293845	Scr. sparkplug cap	1	
10	969348	Scr. sparkplug cap	1	
12	434541	Screw w/ flange M6x16	2	
13	241937	Nut	1	
15	82501R	Voltage regulator	1	
16	015856	Screw m5x21	1	
17	434541	Screw w/ flange M6x16	1	
18	185802	Spring plate	1	
20	58002R	Relay 12V-30A	1	
21	016406	Washer	1	
22	259349	Screw	1	
23	013755	Washer	1	

Assembly	Electrical equipment
Code	T42
Description	Headlamp
Revision	1



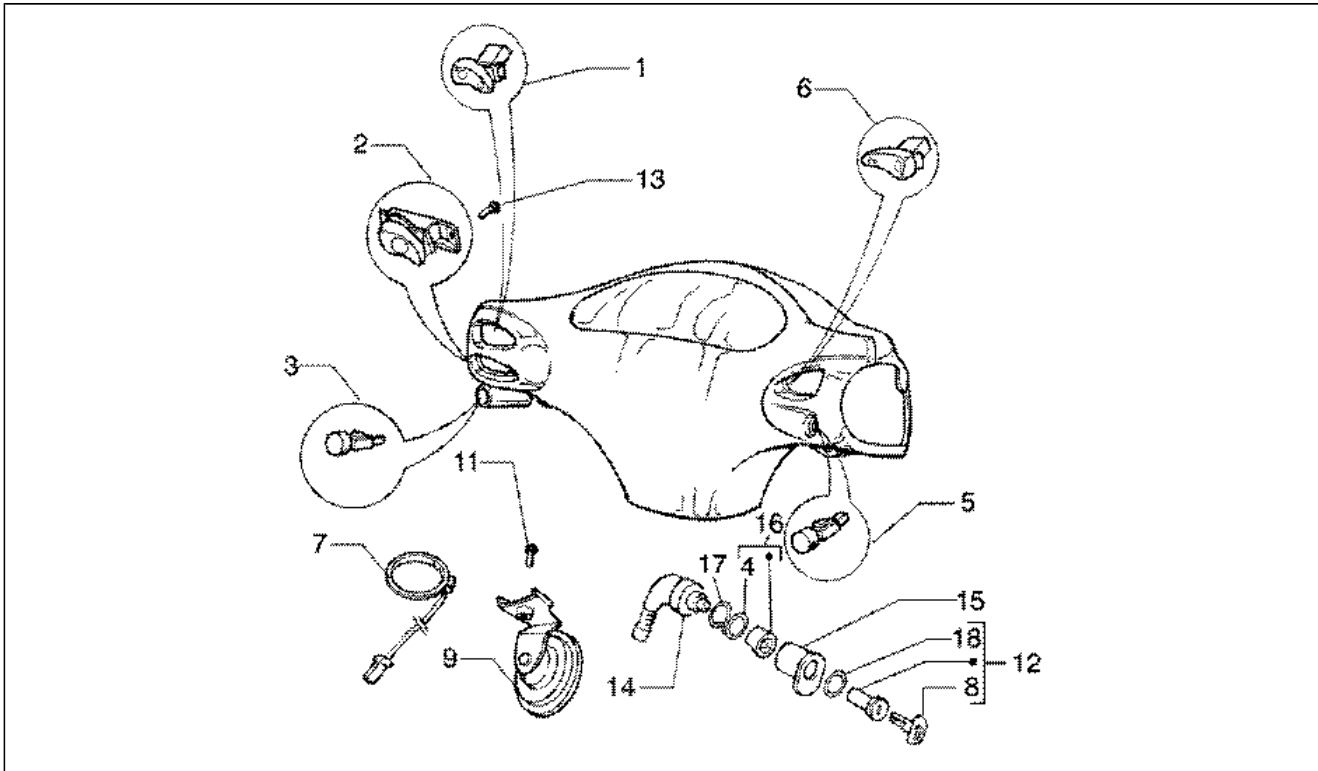
Pos.	Code	Description	Q.ty	Variants
1	219528	Lamp S2 35/35w 12v	1	
1	294278	Lamp H3 12V-55W	1	
2	294354	Cable harness	1	
2	583017	Cable harness	1	
3	294353	Lamp H7 55W 12V	1	
4	292022	Lamp WY5W	1	
6	267115	Self-tap screw m4x16	4	
7	181746	Lamp R10W 12v	2	
8	250521	Lampholder	2	
9	581634	Fr. turn sig.lamp	1	
10	581633	Fr. turn sig.lamp	1	
11	294277	Headlamp	1	

Assembly	Electrical equipment
Code	T44
Description	Rear tail lamp
Revision	1



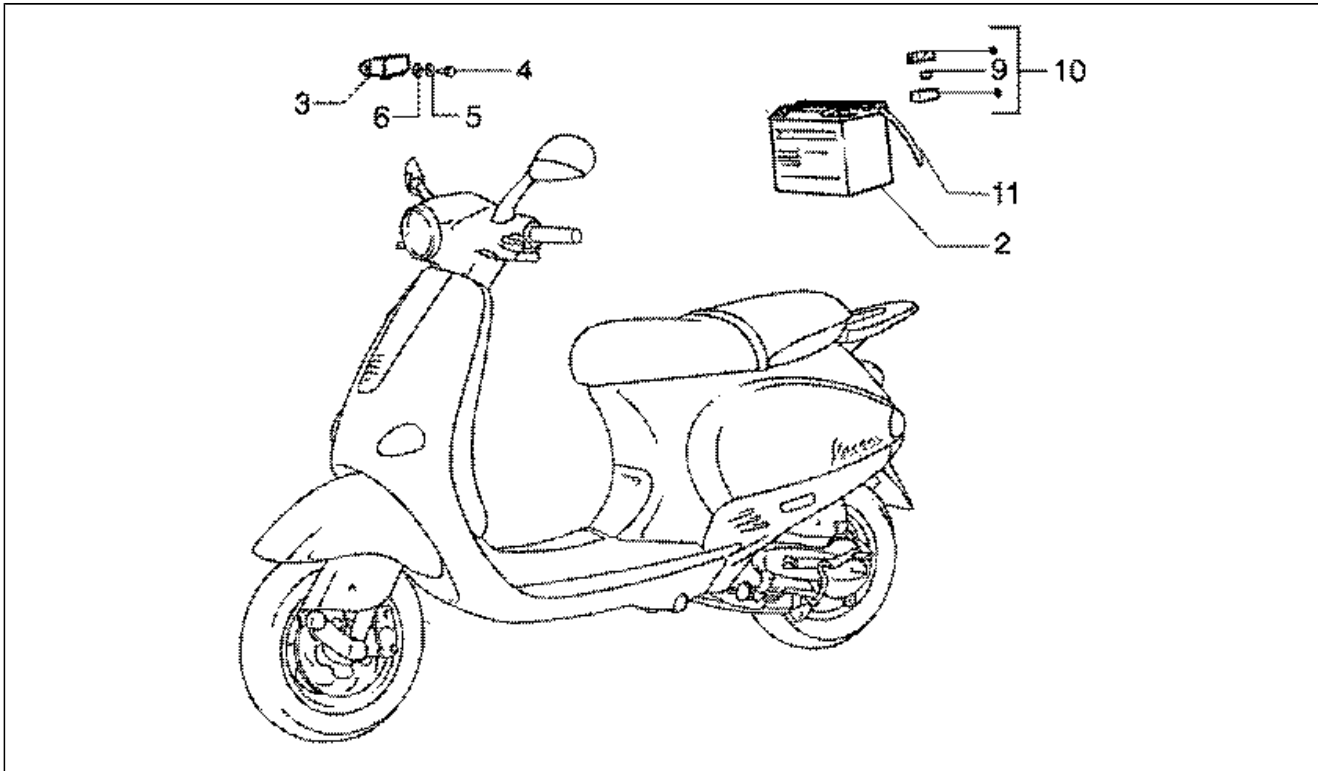
Pos.	Code	Description	Q.ty	Variants
1	581635	Turn signal lamp	1	
2	181746	Lamp R10W 12v	2	
3	581636	Turn signal lamp	1	
4	293967	Glass	1	
5	129953	Lamp 12V-21/5W	1	
6	267166	Plate	2	
7	015729	Screw	2	
8	293602	Taillight	1	
9	250522	Cap	2	
10	013769	Washer	2	
11	015996	Screw	2	
12	250521	Lampholder	2	
13	008432	Screw d3,5x9,5	2	

Assembly	Electrical equipment
Code	T45
Description	Electrical device
Revision	1



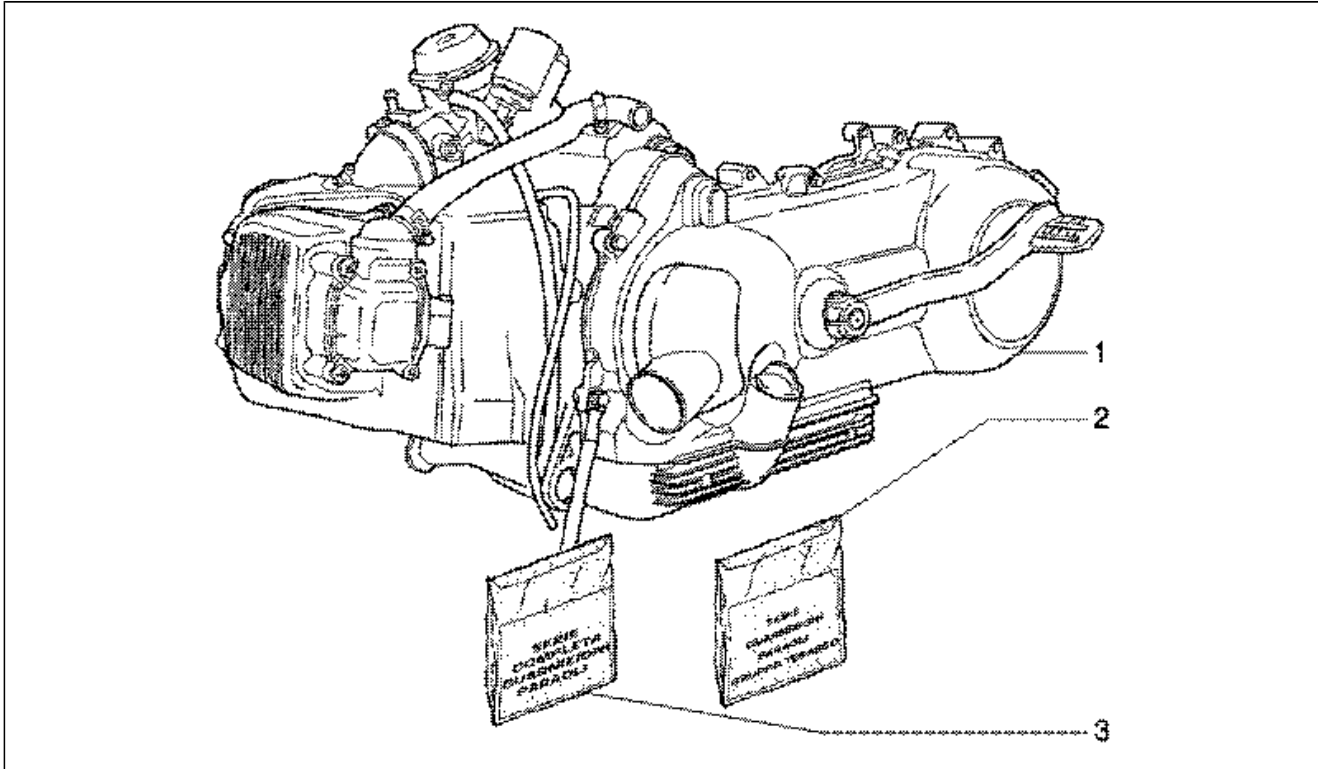
Pos.	Code	Description	Q.ty	Variants
1	294877	Headlight selector	1	
2	294723	Switch	1	
3	293550	Horn button	1	
3	58058R	Horn button	1	
4	298838	Spring	1	
5	293549	Start pushbutton	1	
5	58057R	Start pushbutton	1	
6	293571	Lights switch	1	
6	584427	Plug	1	
7	828800	Antenna	1	
8	573426	Key blank	1	
9	294829	Horn 12v	1	
9	58034R	Horn	1	
9	CM071801	Horn	1	
9	CM071804	Horn	1	
11	434541	Screw w/ flange M6x16	1	
12	573225	Cylinder	1	
12	573430	Cylinder set	1	
13	258403	Screw	1	
14	580621	Main switch - steering lock	1	
15	298581	Lock body	1	
16	298903	Block	1	
17	253937	Spring	1	
18	298731	Gasket ring	1	

Assembly	Electrical equipment
Code	T46
Description	Electrical device
Revision	1



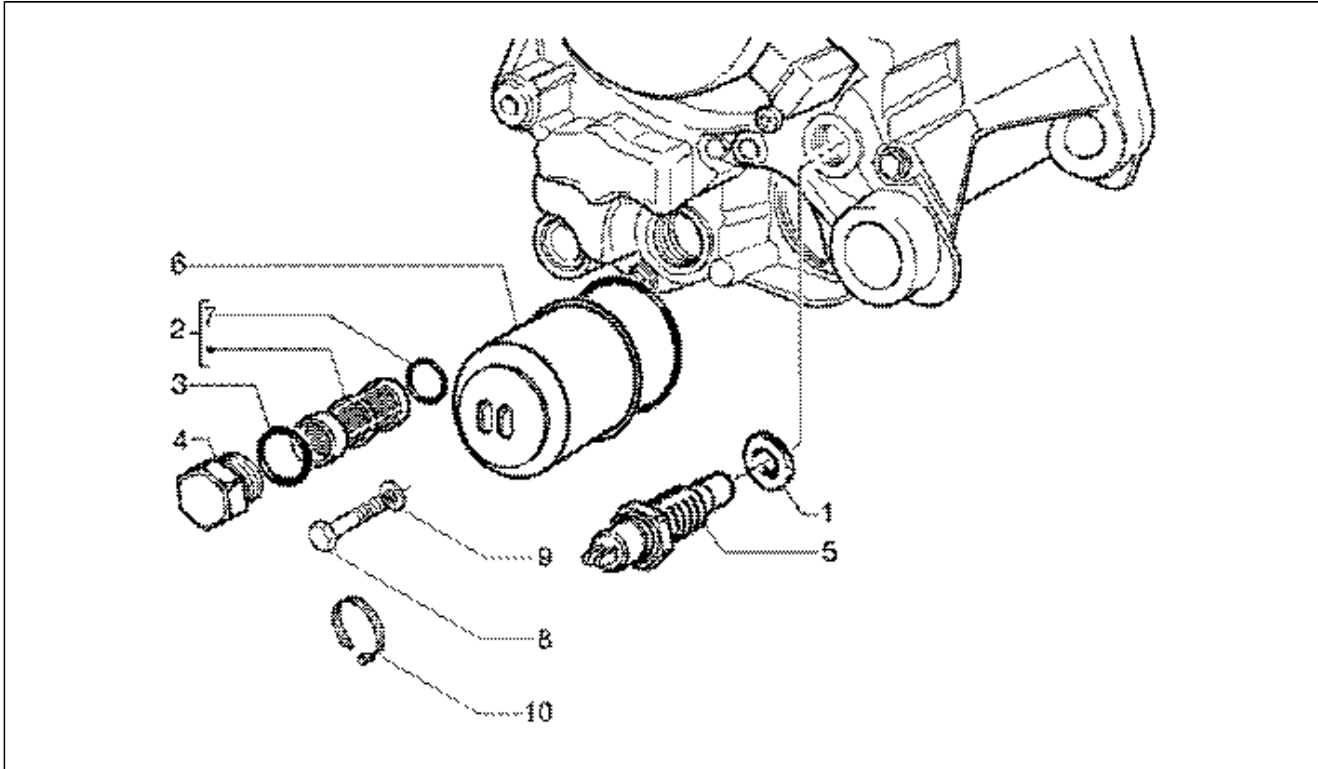
Pos.	Code	Description	Q.ty	Variants
2	2188235	Battery	1	
2	294748	Battery	1	
2	584810	Battery 12V-9AH	1	
3	583337	Rem. control switch 80a	1	
3	584319	Rem. control switch	1	
3	584521	Starting relay	1	
4	015558	Screw m16x16	1	
5	016406	Washer	1	
6	003056	Washer 6,4x12x1	1	
9	252945	Fuse 7,5A	2	
10	290402	Fuse holder	2	
10	580653	Fuse holder	2	
11	580075	Breather pipe	1	

Assembly	Engine
Code	T1
Description	Engine
Revision	1



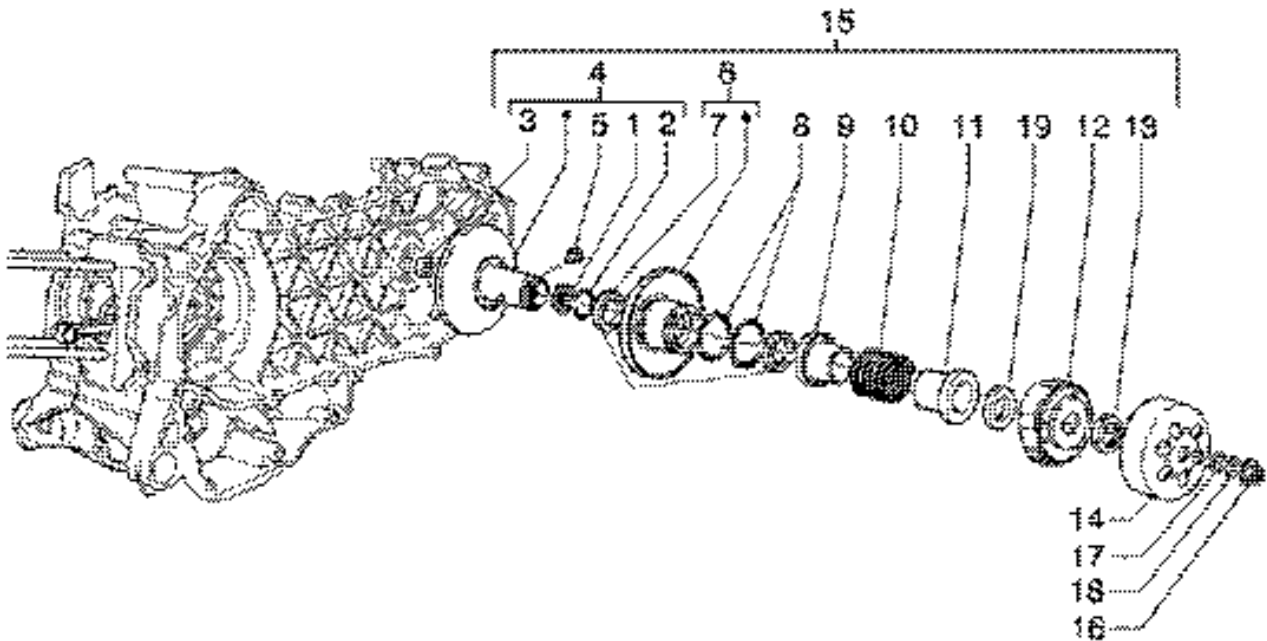
Pos.	Code	Description	Q.ty	Variants
1	CM1040025	Engine	1	
1	CM1040125	Engine	1	
1	CM1269045	Engine	1	
2	494985	Gasket set	1	
3	494984	Gasket set	1	

Assembly	Engine
Code	T10
Description	Oil filter
Revision	1



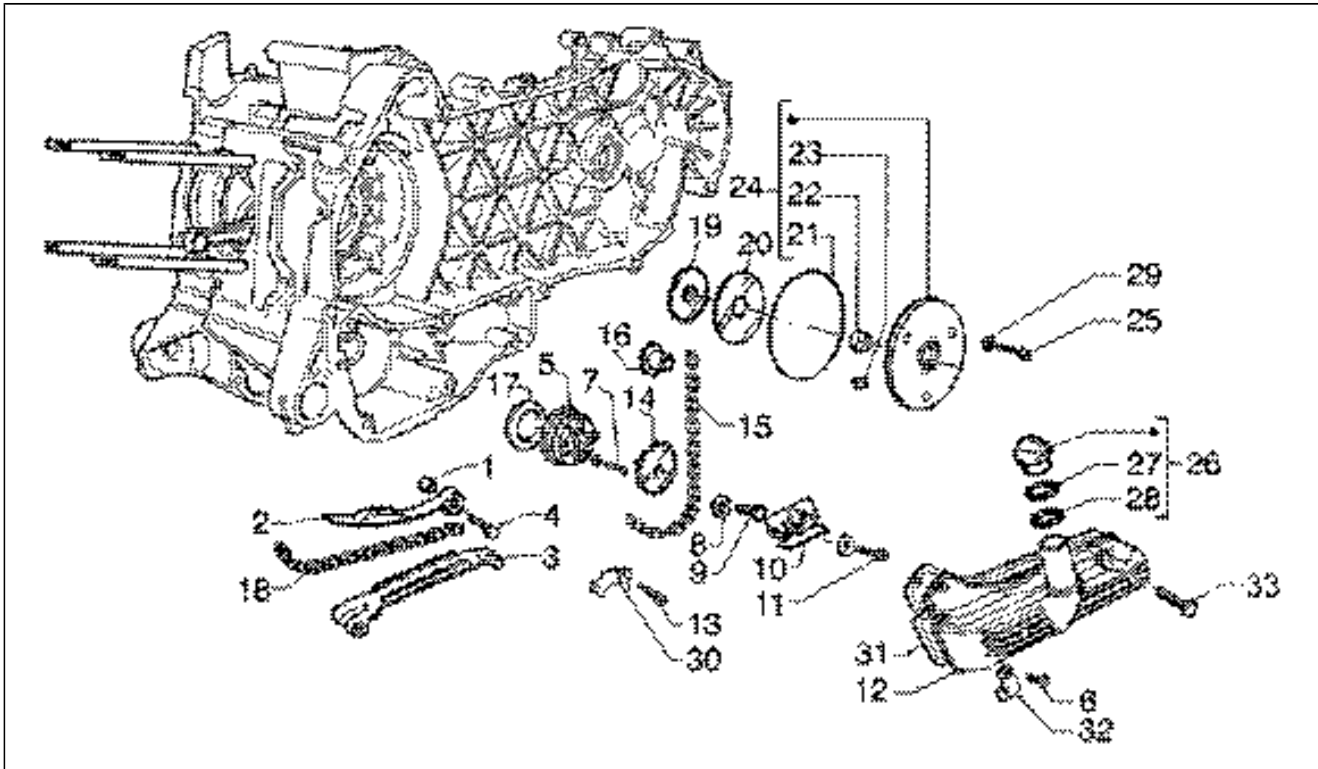
Pos.	Code	Description	Q.ty	Variants
1	486075	Washer 16X10.5X2.5	1	
2	483841	Intake oil filter	1	
3	285536	O-ring 31,47x1,78	2	
4	826165	Oil filter plug	1	
4	82823R	Oil filter plug	1	
5	82580R	Pressure sensor	1	
6	82635R	Oil filter	1	
7	288474	O-ring 20,35x1,78	1	
8	483776	Special screw	1	
9	486075	Washer 16X10.5X2.5	1	
10	825481	Hose clamp	2	

Assembly	Engine
Code	T11
Description	Driven pulley
Revision	1



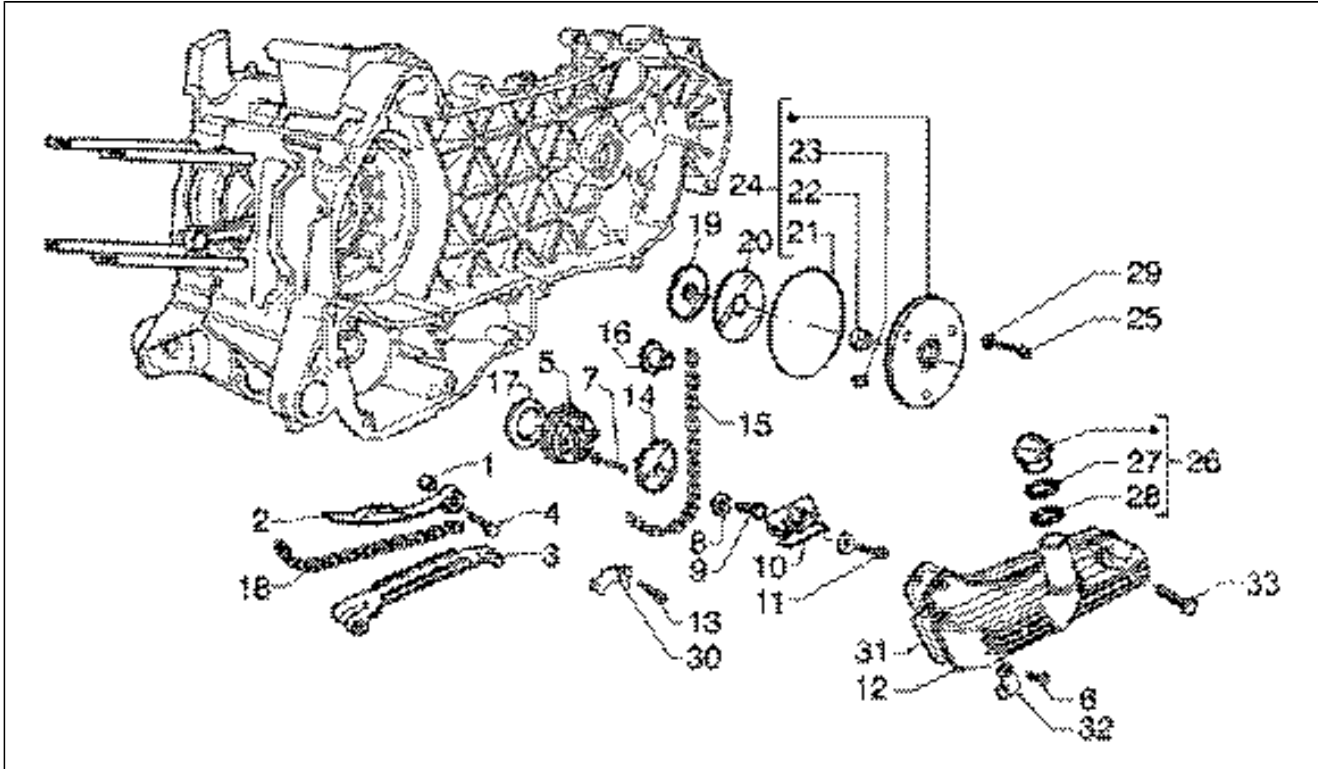
Pos.	Code	Description	Q.ty	Variants
1	82518R	Roller cage 20x29x18	1	
2	483226	Snap ring	1	
3	483261	Radial bearing 17x30	1	
3	82753R	Bearing 17x30x7	1	
4	830580	Sec. fixed sheave, complete	1	
5	479415	Pin	4	
6	827499	Sec. sliding sheave, complete	1	
7	431089	Gasket ring	2	
8	430585	Gasket	2	
9	4310935	Cup	1	
9	840489	Cup	1	
10	825726	Variator spring	1	
11	487936	Cup	1	
12	829184	Clutch, assy.	1	
12	CM144005	Centrifugal clutch assy	1	
13	433232	Ring nut	1	
14	82517R	Clutch drum	1	
14	82751R	Drum	1	
14	844049	Drum	1	
15	830584	Clutch driven pulley assy.	1	
16	486324	Nut	1	
17	827877	Spacer	1	
18	274246	Washer	1	
19	006410	Ring	3	

Assembly	Engine
Code	T12
Description	Oil pump-oil pan
Revision	1



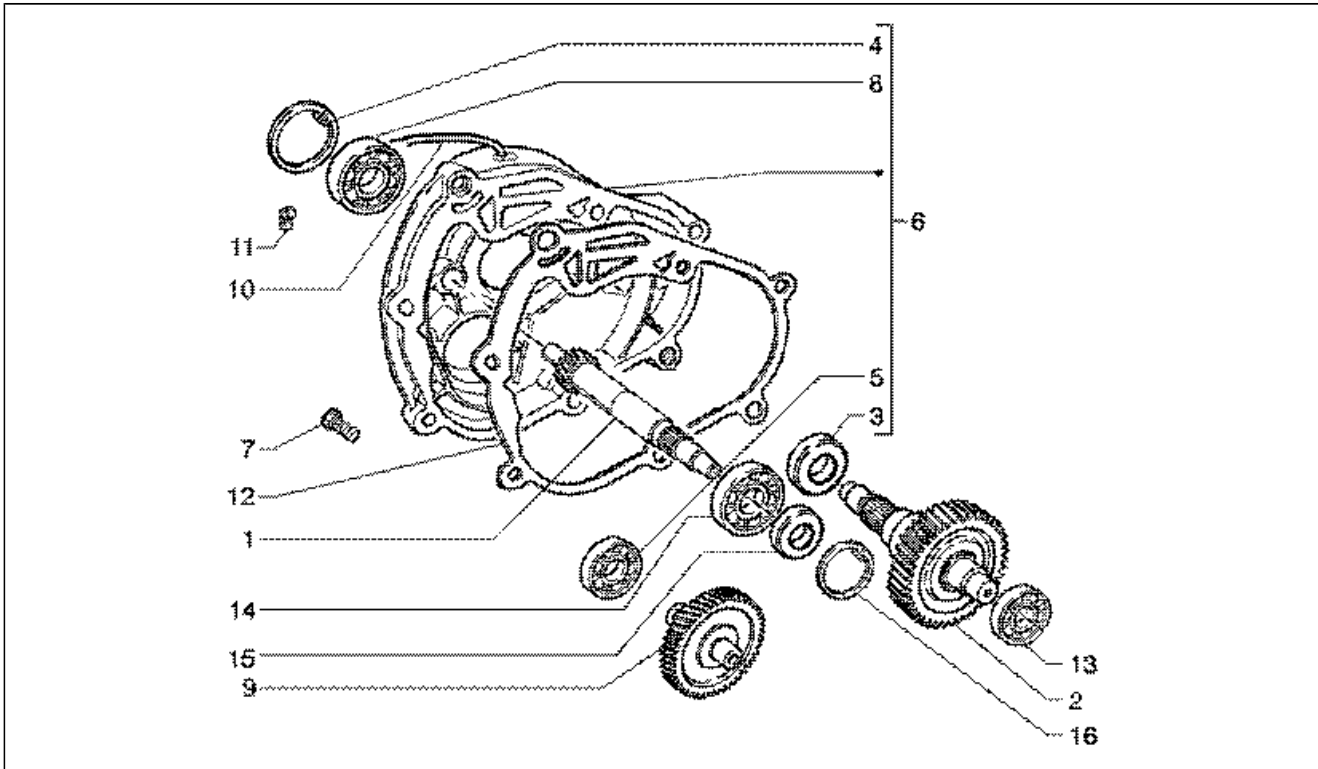
Pos.	Code	Description	Q.ty	Variants
1	485868	Spacer	1	
2	828303	Chain tensioner rod	1	
3	828308	Chain tensioner sliding block	1	
4	414837	Screw w/ flange	1	
5	487343	Oil pump	1	
5	844352	Oil pump assy.	1	
6	277916	Locating dowel	2	
7	433477	Screw w/ flange	4	
8	436695	Belleville spring	1	
9	436788	Screw w/ flange	1	
9	833722	Screw w/ flange	1	
10	483767	Plate	1	
11	484123	Screw w/ flange	4	
12	827756	Pan oil	1	
12	829523	Pan oil	1	
12	843761	Motor oil cup	1	
13	414837	Screw w/ flange	7	
14	287913	Oil pump gear	1	
15	82649R	Oil pump chain	1	
16	483784	Oil pump control pinion	1	
16	82783R	Oil pump control pinion	1	
17	486082	Oil pump/crankcase gasket	1	
18	82643R	Camshaft chain	1	
19	825595	Timing pinion	1	
20	483918	Oil seal washer	1	
21	825620	Gasket ring	1	
22	82538R	Gasket ring	1	
23	434345	Oil pump chain drift	1	

Assembly	Engine
Code	T12
Description	Oil pump-oil pan
Revision	1



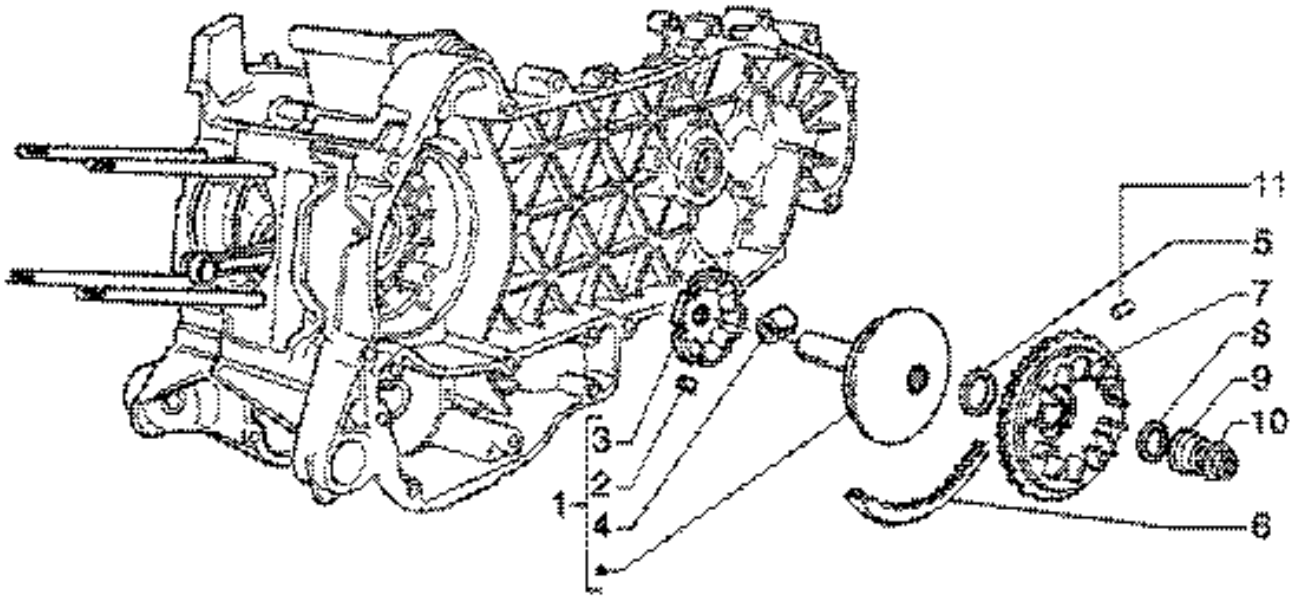
Pos.	Code	Description	Q.ty	Variants
24	828875	Cover	1	
25	414837	Screw w/ flange	2	
26	827761	Oil plug assembly	1	
26	843364	Oil filler plug	1	
26	846819	Oil filler plug	1	
27	479985	Gasket	1	
28	479986	O-ring	1	
29	487937	Plain washer	3	
30	485047	Plate	1	
31	830128	Gasket	1	
32	564721	Hose clamp	2	
33	414837	Screw w/ flange	5	

Assembly	Engine
Code	T13
Description	Rear wheel shaft
Revision	1



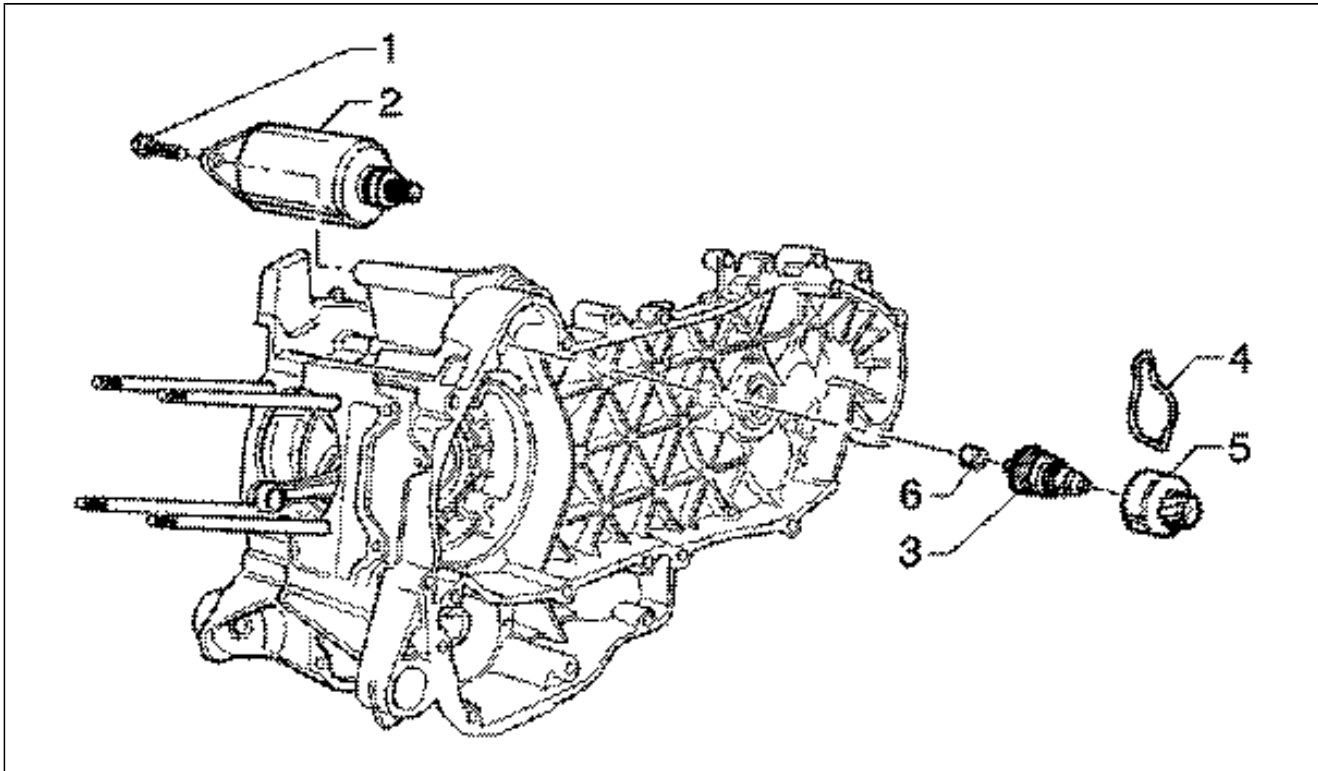
Pos.	Code	Description	Q.ty	Variants
1	4858795	Driven pulley shaft Z=1	1	
2	4871275	Wheel axle	1	
3	82541R	Gasket ring	1	
4	006652	Snap ring	1	
5	485912	Bearing d.15x42x13	1	
6	829416	Side cover	1	
7	487211	Screw m8x45	7	
8	478984	Bearing 25x52x15	1	
9	4871265	Transmission shaft	1	
10	826874	Reduction unit breather pipe assembly	1	
10	830671	Reduction unit breather pipe assembly	1	
10	840733	Breather	1	
11	487948	Hose clamp	2	
12	487383	Gasket	1	
13	485912	Bearing d.15x42x13	1	
14	833701	Ball bearing	1	
15	82539R	Gasket ring	1	
16	000674	Snap ring	1	

Assembly	Engine
Code	T14
Description	Driving half pulley
Revision	1



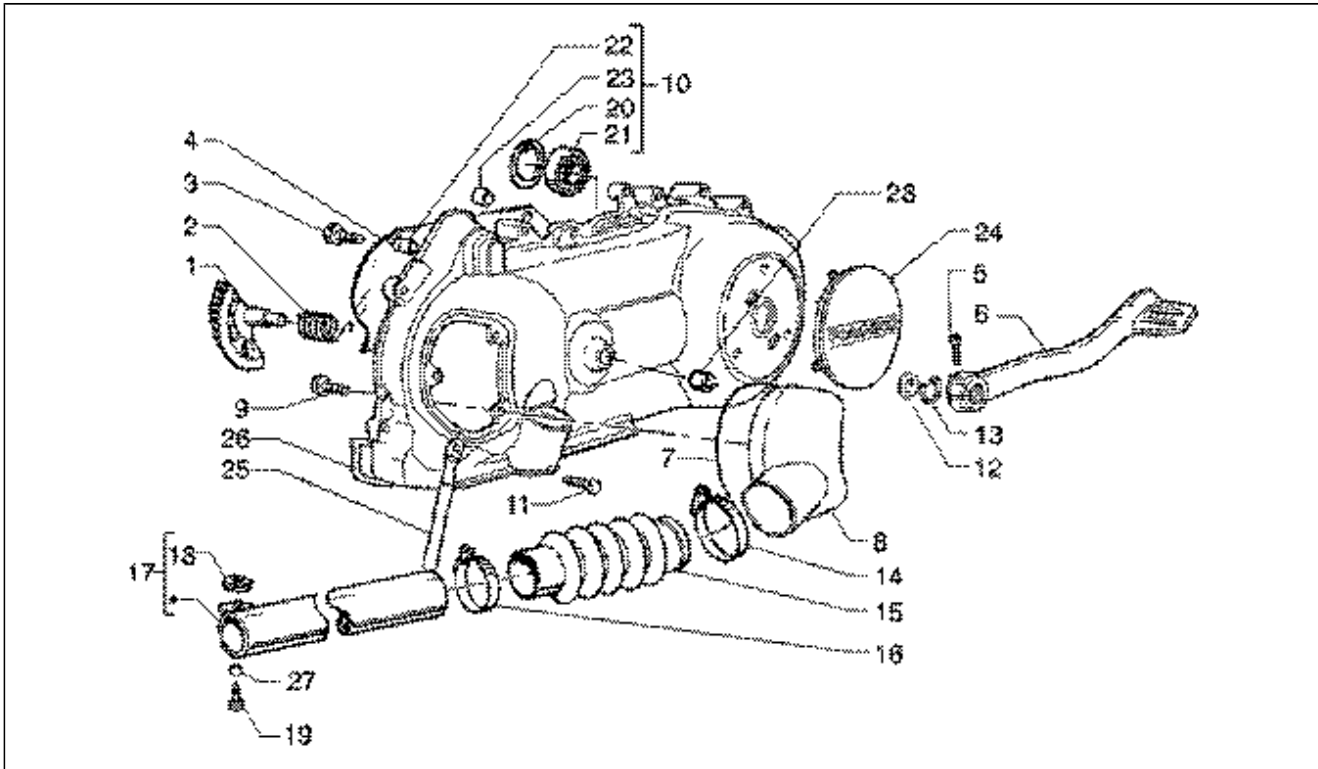
Pos.	Code	Description	Q.ty	Variants
1	CM103901	Pulley, half	1	
2	434855	Sliding block	3	
3	485710	Ramp plate	1	
4	CM1038015	Rollers kit	1	
5	434885	Plain washer	1	
6	832023	V-belt	1	
6	841213	V-belt	1	
7	485118	Fixed driving half pulley	1	
7	834226	Fixed driving half pulley	1	
8	433391	Plain washer	1	
9	478032	Bush	1	
9	827386	Bush	1	
10	436783	Nut cpl.	1	
11	432204	Pin	1	

Assembly	Engine
Code	T15
Description	Electric starter
Revision	1



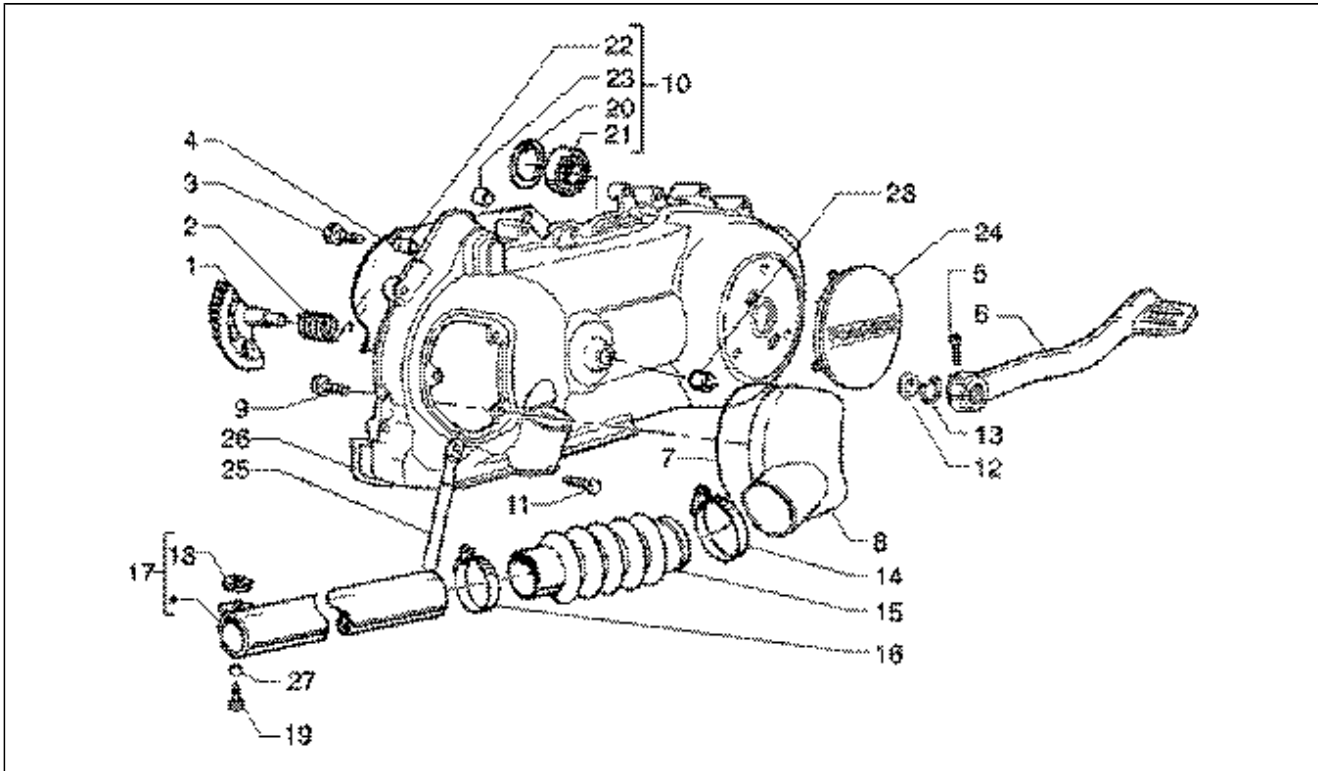
Pos.	Code	Description	Q.ty	Variants
1	031091	Screw	2	
2	82611R	Starter motor	1	
3	82612R	Starter motor gear	1	
4	830212	Spring	1	
5	483539	Pinion	1	
6	431860	Bush	1	

Assembly	Engine
Code	T16
Description	Kickstarter-crankcase cooling
Revision	1



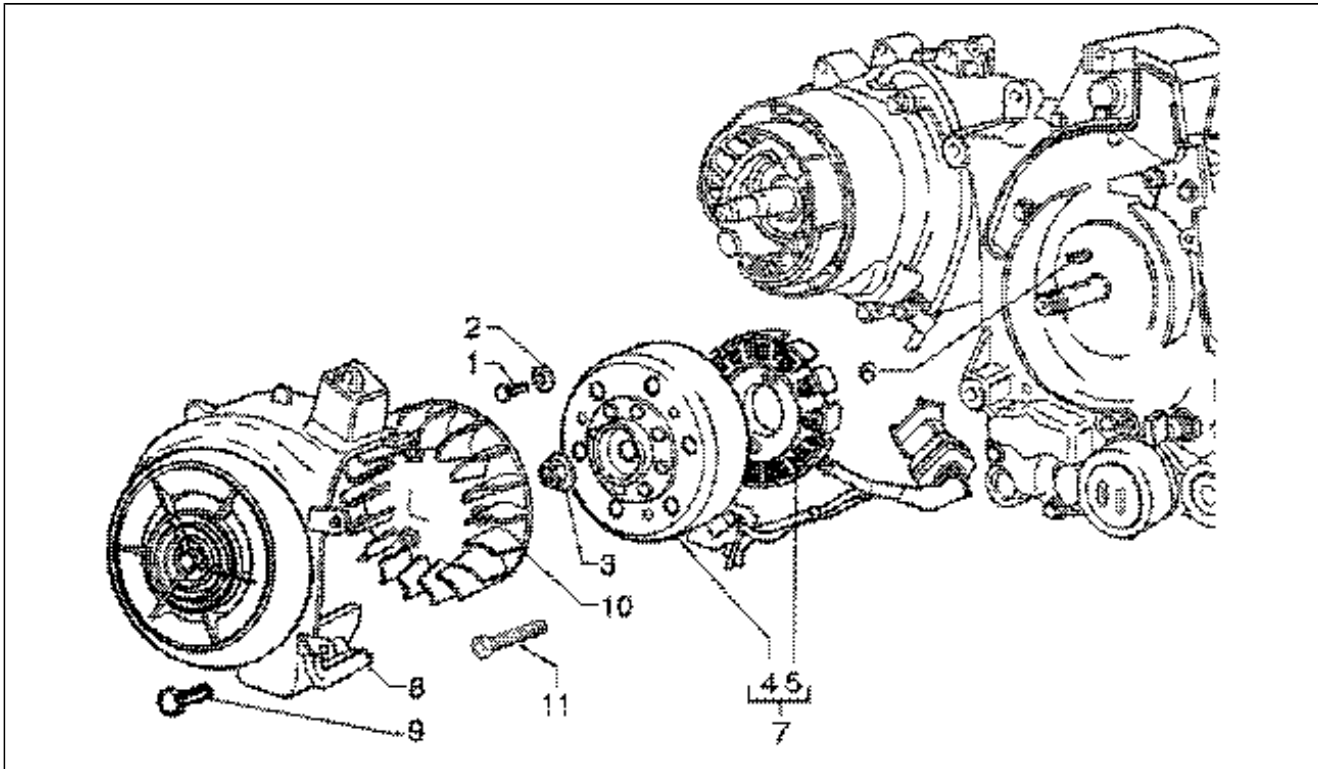
Pos.	Code	Description	Q.ty	Variants
1	830284	Start.shaft	1	
2	289495	Spring	1	
3	430264	Screw m5x10	4	
4	827611	Hot air deflector	1	
4	841228	Air deflector	1	
4	843708	Hot air deflector	1	
4	845395	Hot air deflector	1	
5	289731	Screw w/ flange M6x30	1	
6	827608	Start. lever	1	
7	435251	Gasket	1	
8	484726	Cover	1	
9	258146	Self-tap screw m3x20	3	
10	4843165	Transmission cover	1	
10	8403285	Transmission cover	1	
11	289731	Screw w/ flange M6x30	11	
12	433987	Washer 16,3x23,8	1	
13	006416	Circlip	1	
14	109960	Hose clamp	1	
15	298548	Hose	1	
16	145298	Hose clamp	1	
17	576267	Pipe	1	
18	254485	Clip M6	1	
19	267958	Self tapping screw	1	
20	006635	Snap ring	1	
21	478985	Bearing	1	
22	239388	Pin d.9,5 h=15	2	
23	431860	Bush	1	
24	485608	Plug	1	

Assembly	Engine
Code	T16
Description	Kickstarter-crankcase cooling
Revision	1



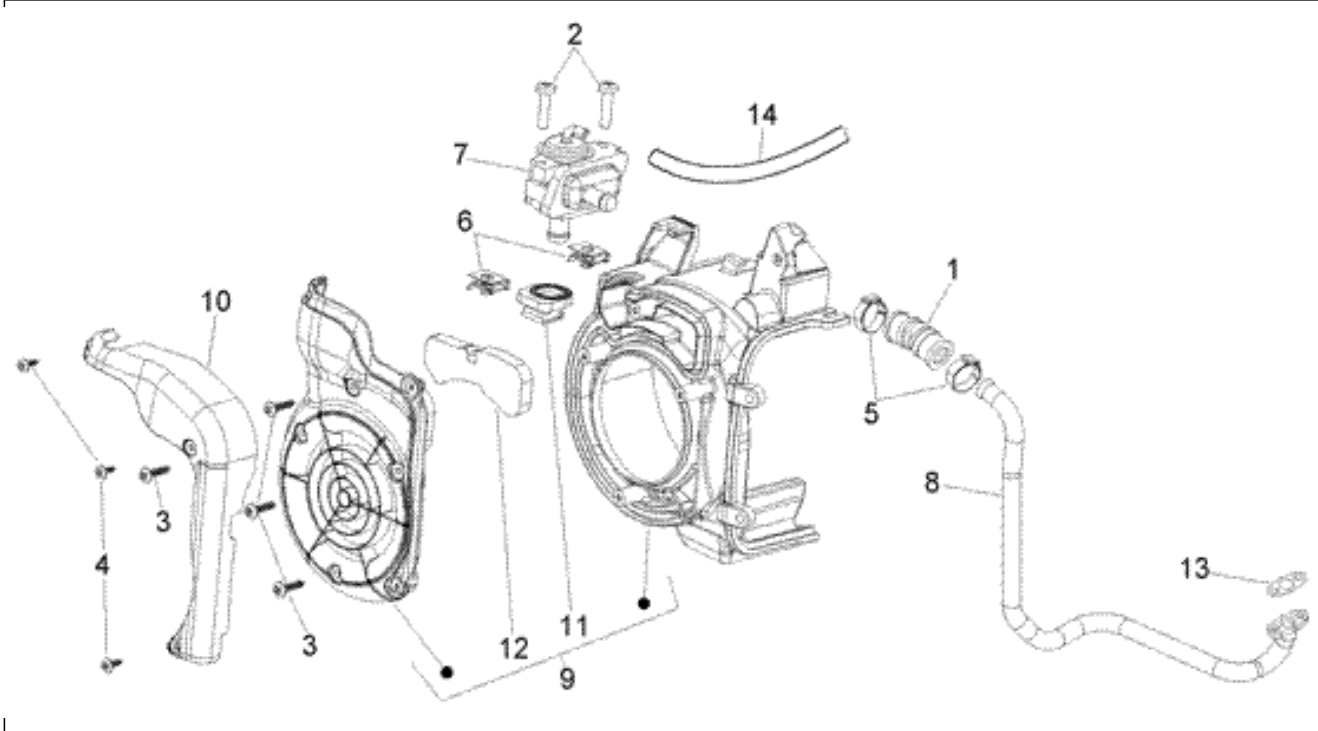
Pos.	Code	Description	Q.ty	Variants
24	CM121901	Plug	1	
24	CM121907	Plug	1	
25	581309	Earth braid	1	
26	483783	Gasket	1	
27	199190	Rubber spacer	1	
28	431205	Bush	1	

Assembly	Engine
Code	T17
Description	Flywheel magneto
Revision	1



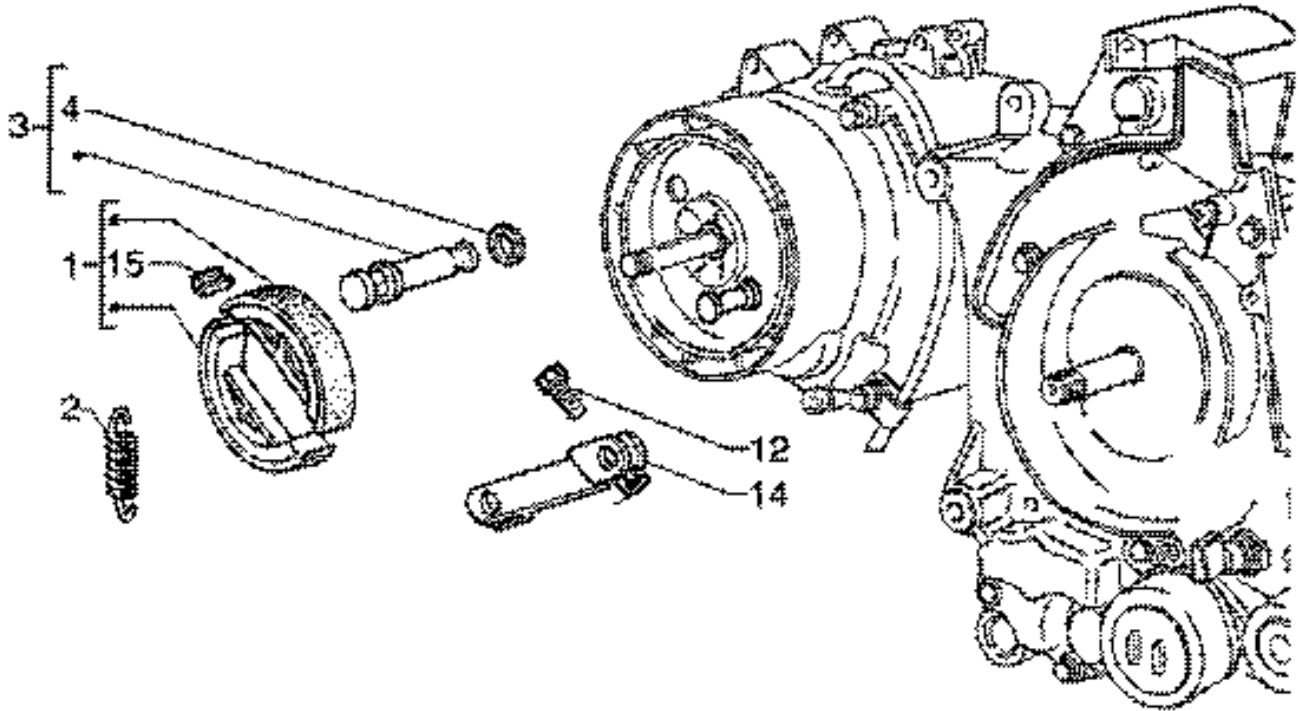
Pos.	Code	Description	Q.ty	Variants
1	259151	Screw	3	
2	006975	Washer 5,3x10x0,5	3	
3	436783	Nut cpl.	1	
4	486140	Rotor, assy.	1	
4	827903	Rotor	1	
5	827902	Backplate, assy	1	
5	828135	Backplate, assy	1	
5	833697	Backplate, assy	1	
6	000267	Transmission key	1	
7	58059R	Cdi magneto assy	1	
7	82572R	Cdi magneto assy	1	
8	825426	Duct	1	
9	486972	Screw m5x25	2	
9	828662	Screw	2	
10	825430	Fan	1	
11	018575	Screw	2	

Assembly	Engine
Code	T17/A
Description	Secondary air box
Revision	1



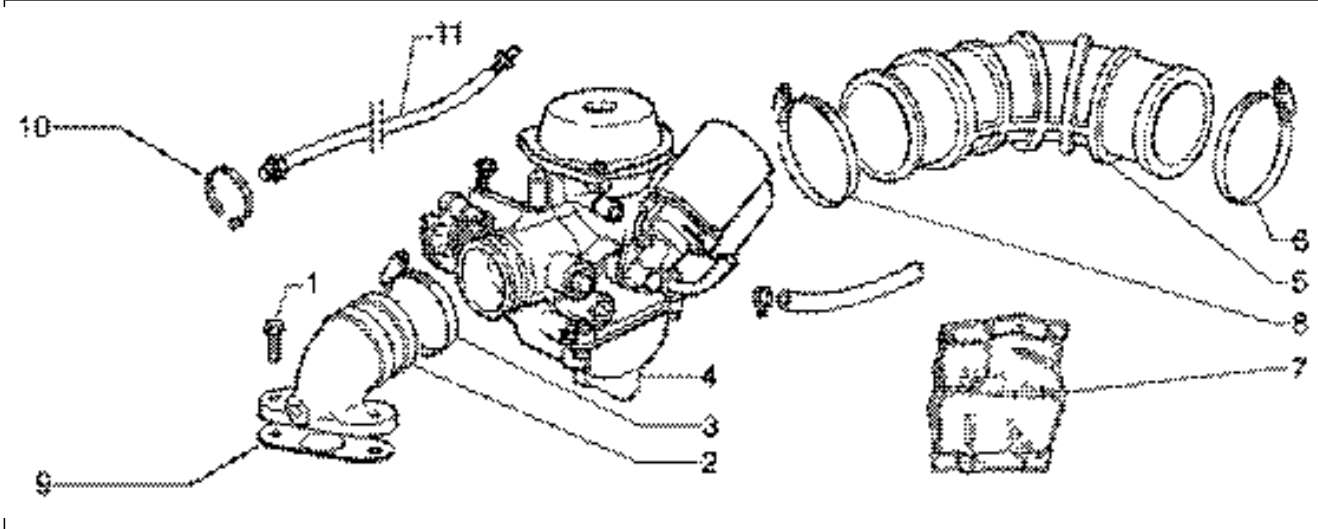
Pos.	Code	Description	Q.ty	Variants
1	831259	Hose union	1	
2	015760	Screw m6x25	2	
3	258146	Self-tap screw m3x20	4	
4	297498	Screw	3	
5	CM001904	Hose clamp	2	
6	254485	Clip M6	2	
7	82731R	SAS valve	1	
8	844116	Pipe	1	
9	834473	Air duct, cpl.	1	
10	834476	Cover	1	
11	833802	Gasket	1	
12	832703	Filtering element	1	
13	832943	Gasket	1	
14	845635	Pipe	1	

Assembly	Engine
Code	T18
Description	Brake lever
Revision	1



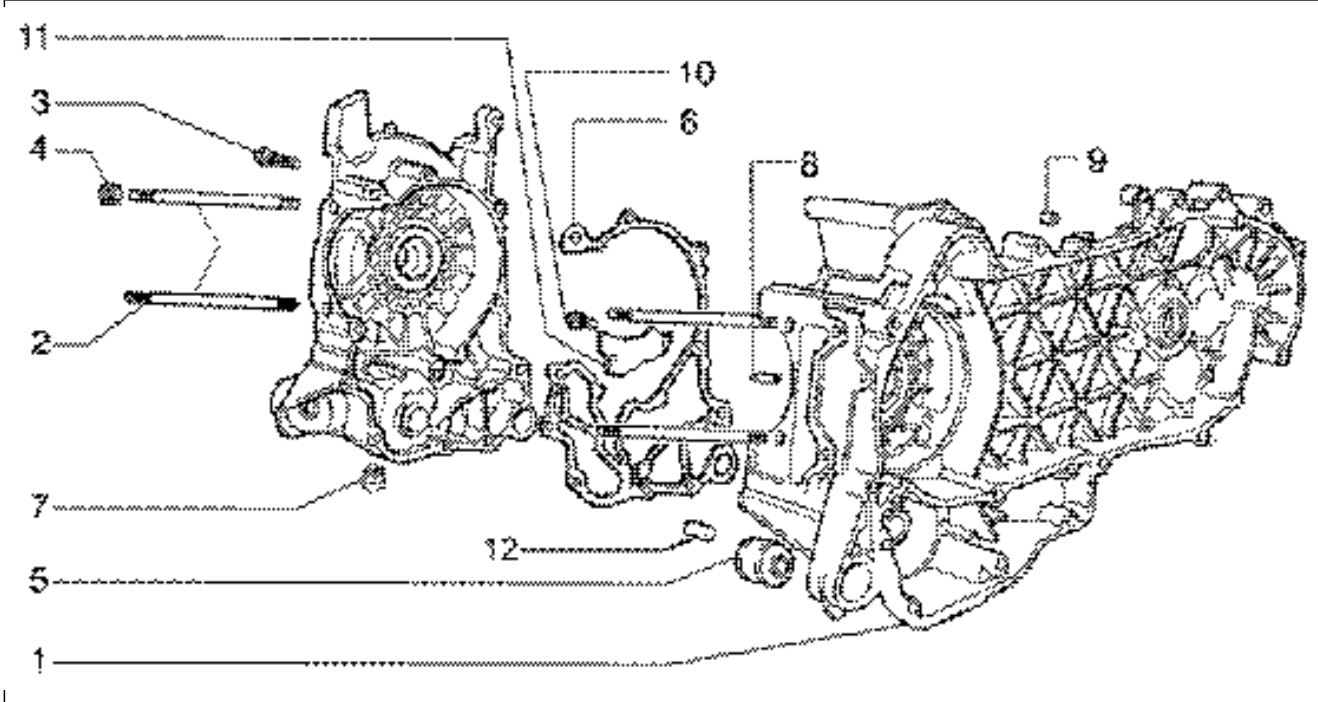
Pos.	Code	Description	Q.ty	Variants
1	2736235	Brake shoes couple	1	
2	266725	Return spring	2	
3	564136	Brake lever	1	
4	564134	Gasket	1	
12	289731	Screw w/ flange M6x30	1	
14	564215	Rear brake lever	1	
15	266724	Plate	1	

Assembly	Engine
Code	T19
Description	Carburettor
Revision	1



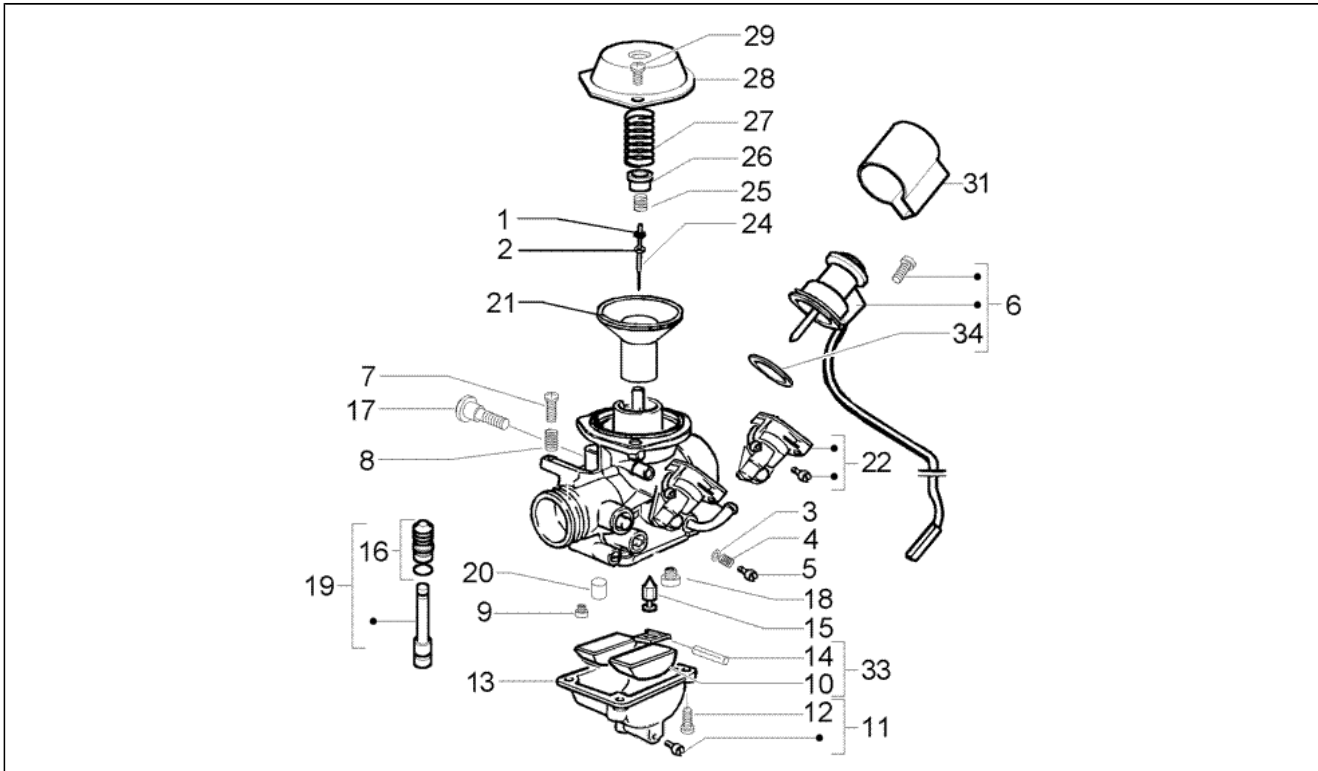
Pos.	Code	Description	Q.ty	Variants
1	830487	Screw	2	
2	485587	Union pipe	1	
2	827803	Union pipe	1	
2	828424	Union pipe	1	
3	709677	Hose clamp	1	
4	CM111204	Carburettor	1	
4	CM111205	Carburettor	1	
4	CM115001	Carburettor	1	
5	828700	Hose	1	
5	829001	Carburettor-air box hose	1	
6	109960	Hose clamp	1	
7	494921	Carburettor gasket set	1	
7	498412	Gasket set	1	
8	709532	Hose clamp	1	
9	827919	Gasket	1	
10	145298	Hose clamp	1	
11	826176	Resistance	1	

Assembly	Engine
Code	T2
Description	Crankcase
Revision	1



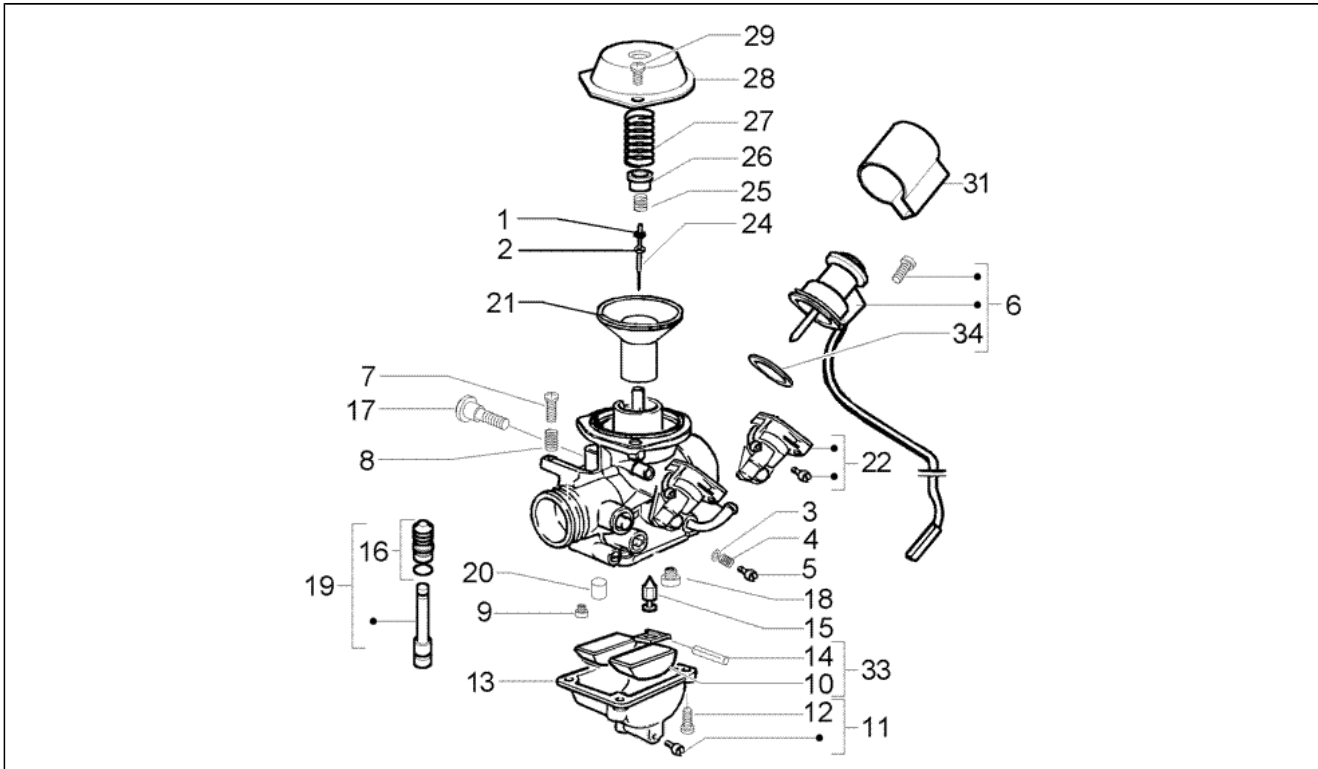
Pos.	Code	Description	Q.ty	Variants
1	CM1136085001	Crank-case	1	
1	CM1136085002	Crank-case	1	
1	CM1217095001	Crank-case	1	
1	CM1217095002	Crank-case	1	
1	CM1280085001	Crank-case	1	
1	CM1280085002	Crank-case	1	
2	411295	Stud bolt	1	
3	432142	Screw M6X60	11	
4	434078	Nut	4	
5	486081	Silent-block	2	
6	829526	Gasket	1	
7	411311	Plug	2	
8	484034	Nozzle	1	
9	239388	Pin d.9,5 h=15	2	
10	018575	Screw	1	
11	825495	Plate	1	
12	277916	Locating dowel	1	

Assembly	Engine
Code	T20
Description	Carburettor (Walbro-Keihin)
Revision	1



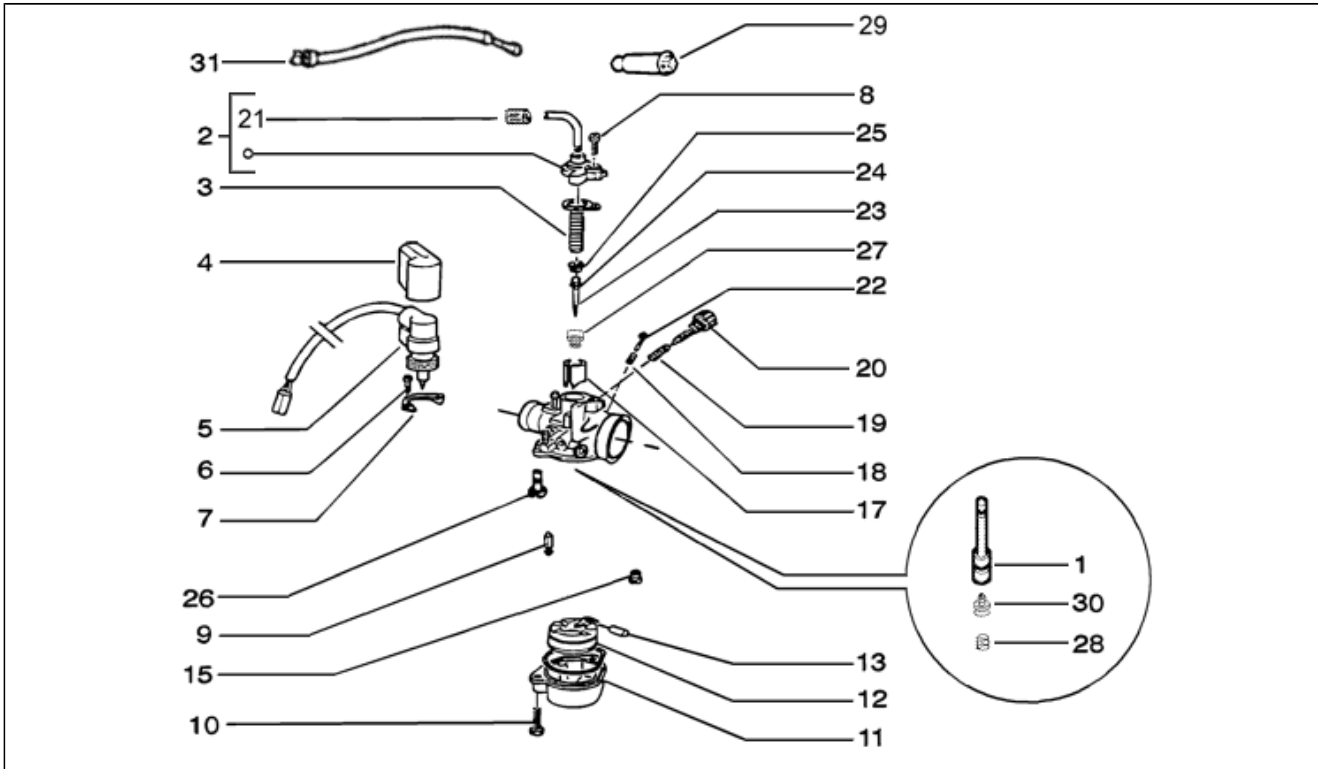
Pos.	Code	Description	Q.ty	Variants
1	826822	Circlip	1	
2	826821	Washer	1	
3	826843	Washer	1	
4	826839	Spring	1	
5	CM106401	Minimum adj. screw	1	
6	826901	El. start device	1	
6	CM129802	Starter	1	
6	CM142904	Automatic starter cpl.	1	
7	826778	Special screw	2	
7	826824	Screw	1	
8	826817	Plug	1	
8	826825	Spring	1	
9	CM105301	Idling jet 34	1	
9	CM140101	Idle jet 35	1	
10	826812	Float	1	
10	842522	Float kit	1	
11	826857	Screw	1	
11	842523	Float chamber kit	1	
12	826770	Screw	4	
13	CM109807	Float chamber	1	
13	CM140402	Float chamber	1	
14	826811	Pin	1	
15	826786	Petrol needle	1	
15	828831	Adjuster needle	1	
16	826785	Needle seat	1	
16	840453	Bellows kit	1	
17	826826	Screw	2	
17	826869	Pin	1	

Assembly	Engine
Code	T20
Description	Carburettor (Walbro-Keihin)
Revision	1



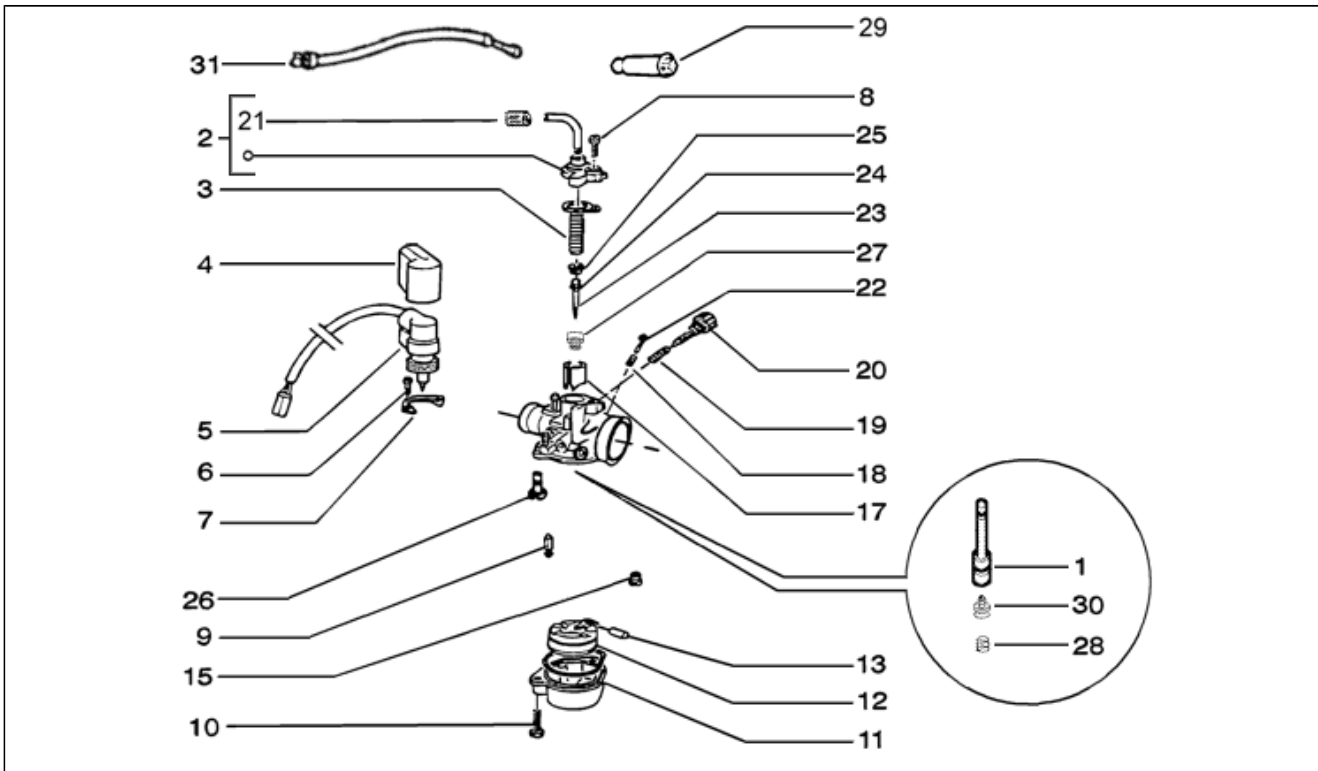
Pos.	Code	Description	Q.ty	Variants
18	CM105401	Maximum jet	1	
18	CM129915	Main jet	1	
19	842526	Bellows kit	1	
19	CM104901	Diffuser tube	1	
20	826768	Starter cap	1	
21	826782	Piston	1	
21	CM140501	Gas valve	1	
22	826781	Plate	1	
22	842530	Starter	1	
23	826823	Slow running jet	1	
24	826819	Conical needle 52k	1	
24	CM106501	Conical pin	1	
24	CM140207	Conical pin	1	
25	826818	Spring	1	
26	826820	Cup	1	
26	842517	Cup	1	
27	CM106602	Spring	1	
27	CM140903	Spring	1	
28	826783	Gas valve cover	1	
28	842514	Cover	1	
29	826780	Screw	1	
30	826836	Plate	1	
31	826866	Starter cover	1	
31	828844	Cap	1	

Assembly	Engine
Code	T20/A
Description	Carburettor (Dell'Orto)
Revision	1



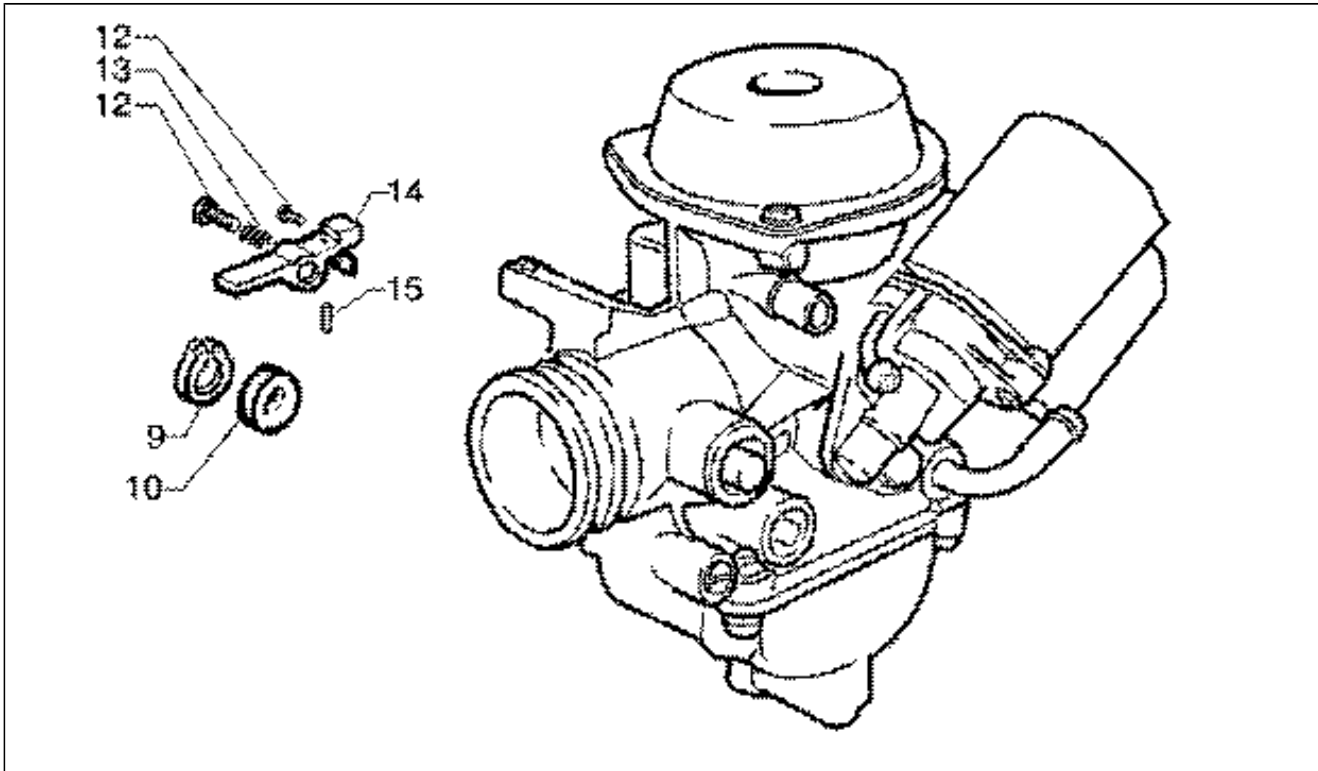
Pos.	Code	Description	Q.ty	Variants
1	CM119401	Diffuser	1	
2	829854	Cover	1	
2	CM114101	Cover	1	
3	829858	Spring	1	
4	829857	Guard	1	
5	829856	El. start device	1	
6	289575	Screw	2	
7	288863	Plate	1	
8	432413	Screw	1	
9	CM128502	Fuel closing needle	1	
10	288862	Float chamber fixing screw	2	
11	CM111501	Float chamber	1	
12	832061	Float	1	
13	288881	Float pin	1	
15	CM111701	Maximum jet	1	
15	CM111713	Main jet	1	
17	CM112101	Gas valve	1	
18	085285	Spring	1	
19	829871	Spring	1	
20	829860	Screw	1	
21	288868	Screw	1	
22	CM111901	Screw	1	
23	CM111801	Conical pin	1	
24	432416	O-ring	1	
25	829859	Lock	1	
26	CM111601	Idling jet	1	
26	CM111604	Idle jet	1	
27	829864	Throttle transmission nipple	1	

Assembly	Engine
Code	T20/A
Description	Carburettor (Dell'Orto)
Revision	1



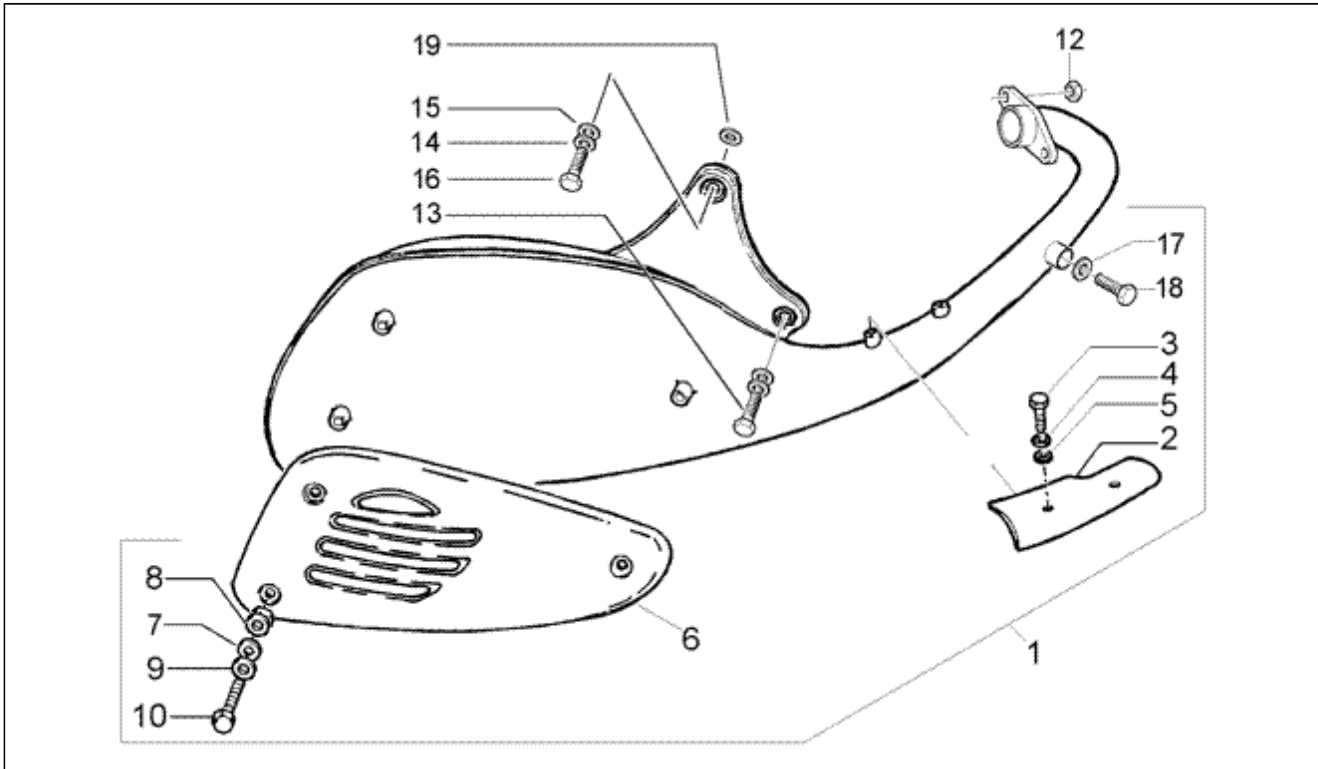
Pos.	Code	Description	Q.ty	Variants
28	829865	Cool. Pump piston	1	
29	289903	Throttle cable cap	1	
30	829866	Cool. Pump piston spring	1	
31	599312	Throttle transmiss.	1	

Assembly	Engine
Code	T21
Description	Carburettor
Revision	1



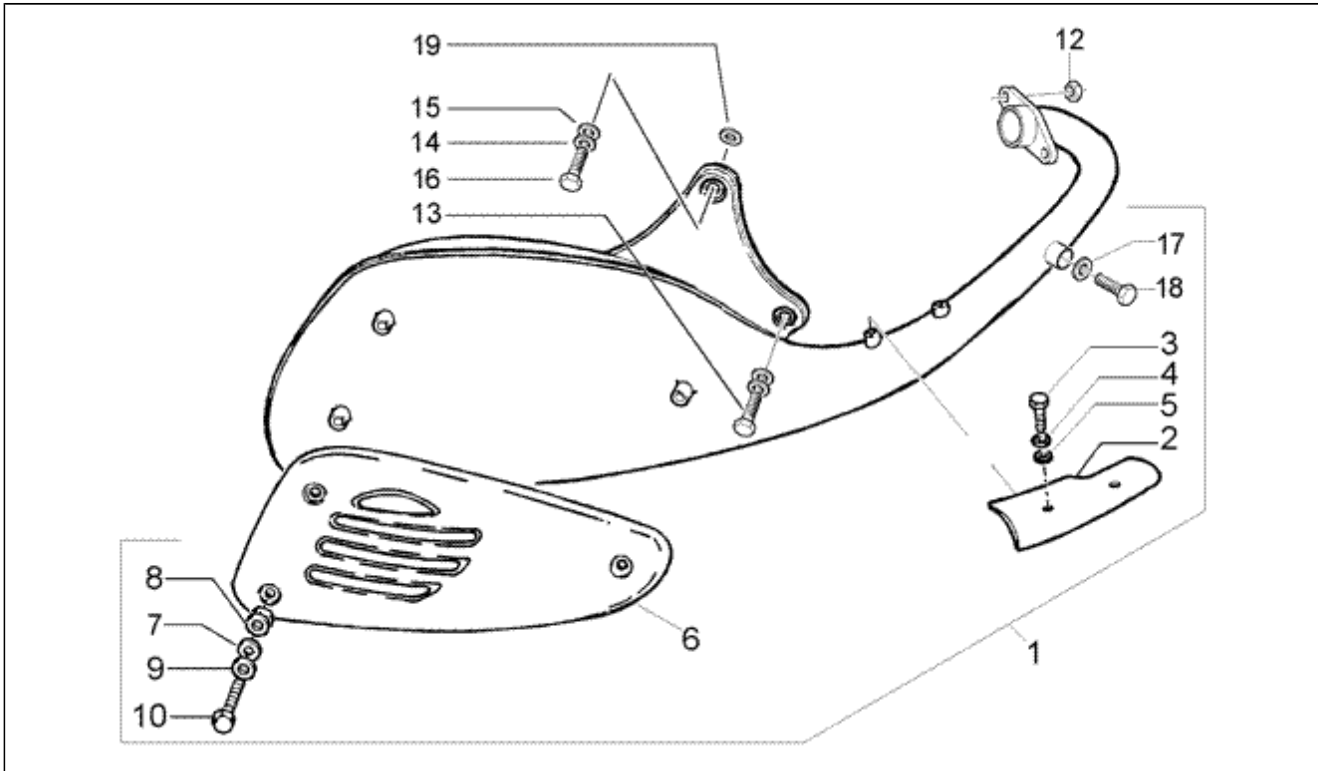
Pos.	Code	Description	Q.ty	Variants
5	827855	Bellows	1	
6	827856	Lock	1	
7	CM114303	Piston	1	
8	826858	Spring	1	
9	826846	Diaphragm	1	
10	826844	Washer	1	
12	826826	Screw	2	
13	826775	Spring	1	
14	826828	Pump control lever	1	
14	CM109704	Piston	1	
15	826827	Special screw	1	
16	826824	Screw	1	
17	826825	Spring	1	

Assembly	Engine
Code	T23
Description	Catalytic
Revision	1



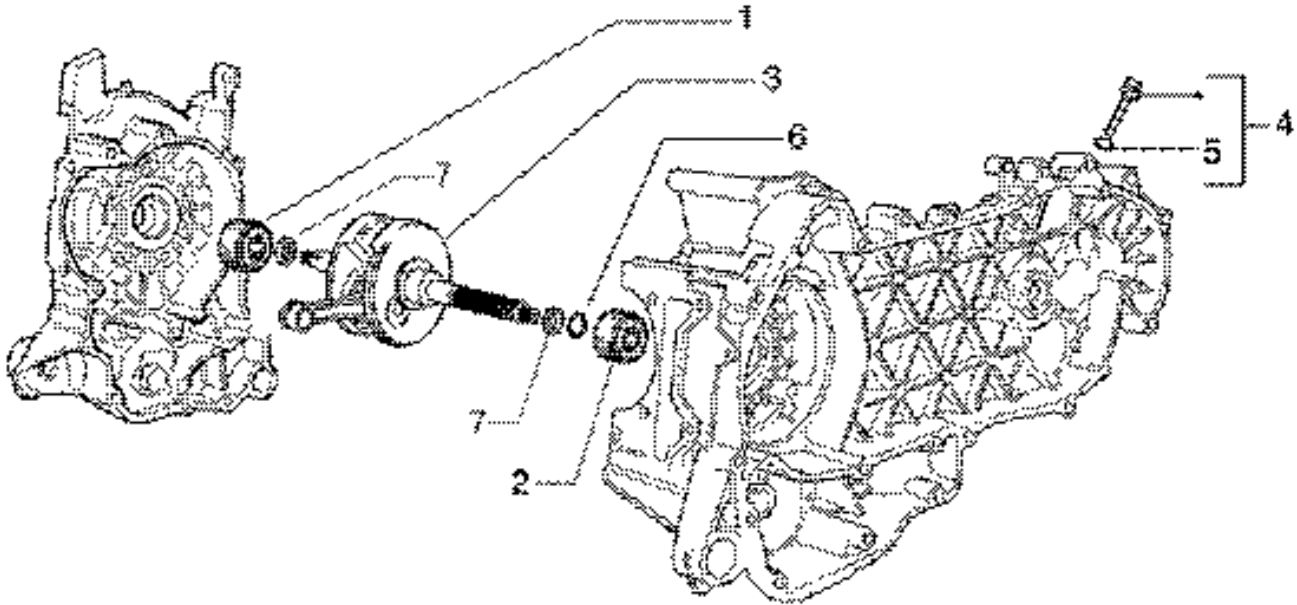
Pos.	Code	Description	Q.ty	Variants
1	831870	Exhaust pipe	1	
1	8442905	Exhaust pipe	1	
2	480401	Deflector	1	
3	433800	Self-tapping screw	2	
4	016405	Spring washer	2	
5	006965	Washer 5.3x10x10	2	
5	828535	Washer	2	
6	479178	Protection	1	
6	841820	Protection	1	
7	826117	Spacer	6	
7	843213	T bush	3	
8	828583	Washer	3	
8	841782	Insulating washer	3	
9	826118	Washer	3	
9	828583	Washer	3	
9	841821	Washer 6,6x18x1,6*	3	
10	433800	Self-tapping screw	3	
10	844641	Screw	3	
11	434716	Gasket	1	
12	436947	Nut 7M100	2	
13	018583	Screw	1	
13	844191	Screw	1	
14	016408	Spring washer	2	
15	013861	Washer	2	
15	709012	Washer	2	
16	432334	Screw m8x50	1	
16	844483	Screw m8x50	1	
17	016195	Washer	1	

Assembly	Engine
Code	T23
Description	Catalytic
Revision	1



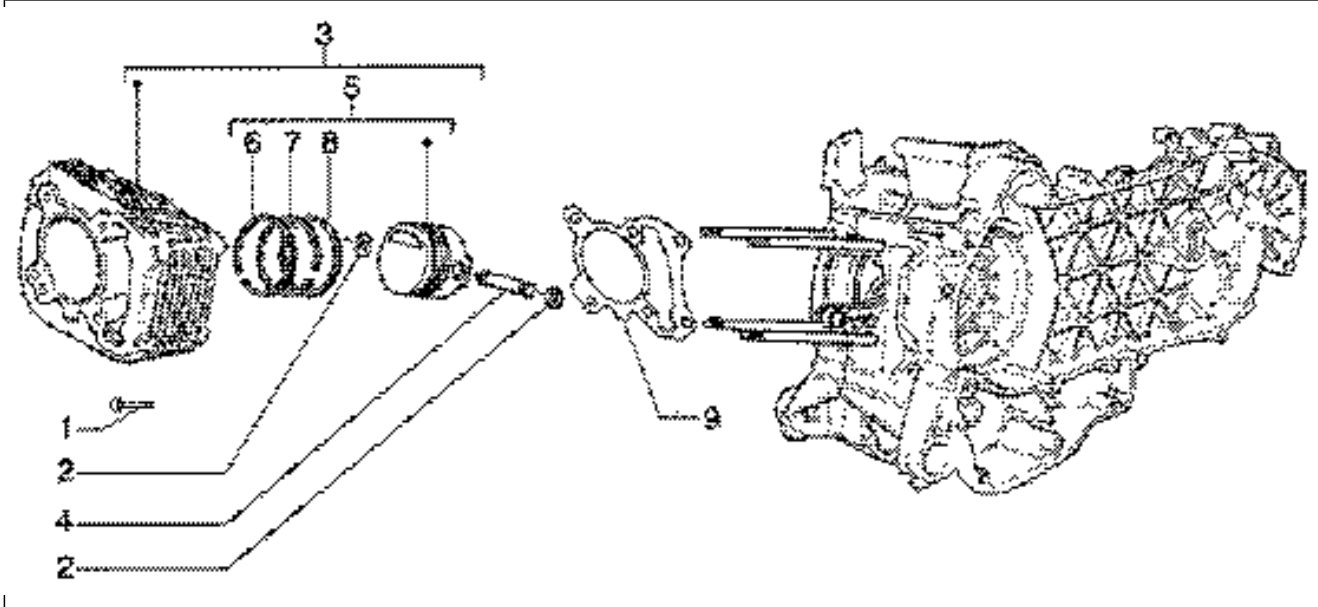
Pos.	Code	Description	Q.ty	Variants
18	433122	Screw w/ flange	1	
19	825643	Washer	1	

Assembly	Engine
Code	T3
Description	Crankshaft
Revision	1



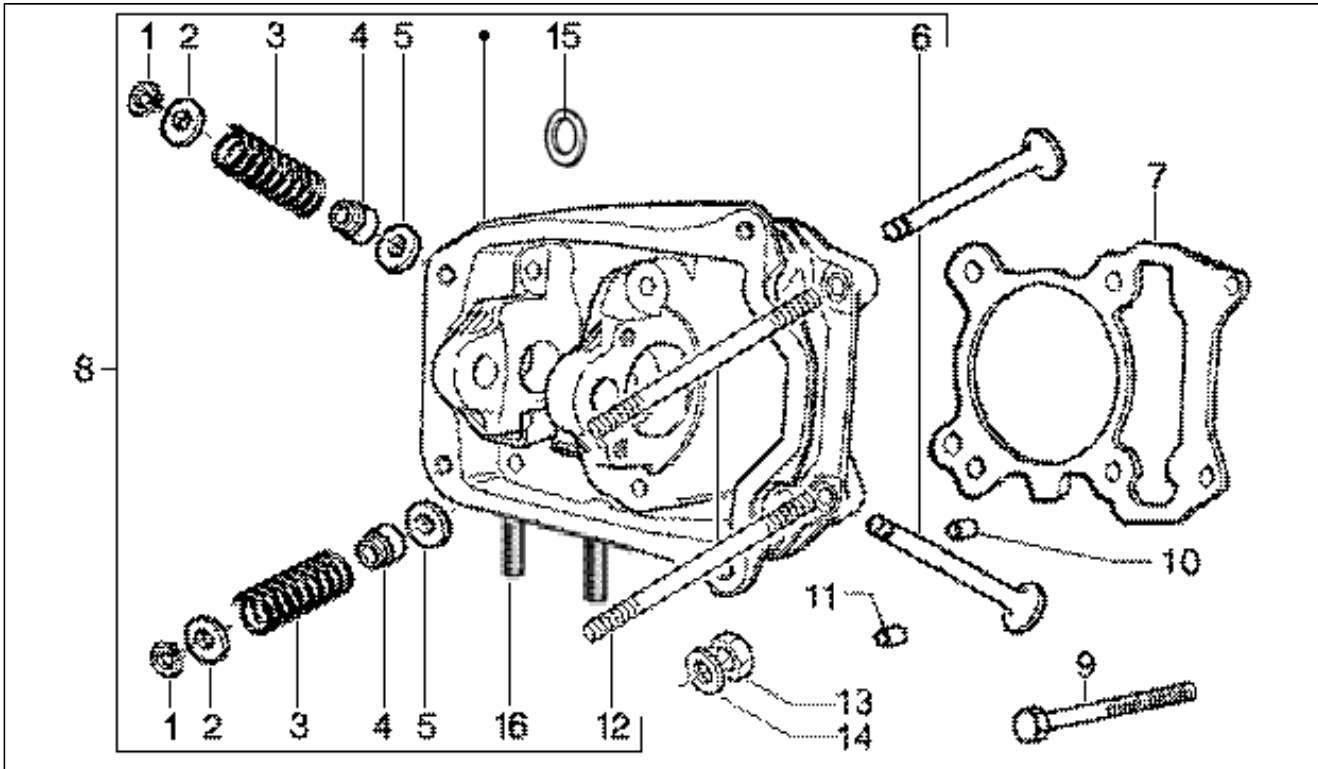
Pos.	Code	Description	Q.ty	Variants
1	82540R	Gasket ring	1	
2	82538R	Gasket ring	1	
3	8304725001	Drive shaft	1	
3	8304725002	Drive shaft	1	
3	8412985001	Crankshaft cpl. cat1	1	
3	8412985002	Crankshaft cpl. cat2	1	
4	832130	Oil level rod cpl.	1	
5	827085	Gasket ring	1	
6	825952	Gasket ring	1	
7	828297	Washer	2	

Assembly	Engine
Code	T4
Description	Cylinder-piston-wrist pin, assy
Revision	1



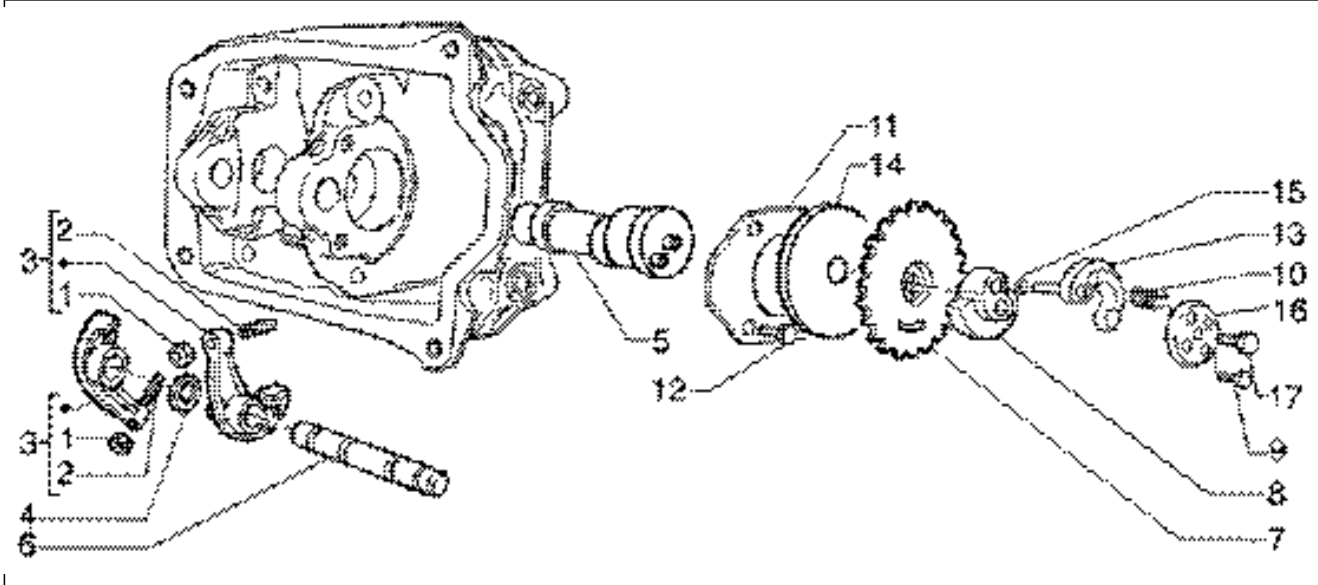
Pos.	Code	Description	Q.ty	Variants
1	485603	Screw w/ flange m6x100	2	
2	963486	Snap ring	2	
3	827041	Cyl.unit	1	
4	482335	Piston pin	1	
5	8270280001	Pist.-wrist pin assy.	1	
5	8270280002	Pist.-wrist pin assy.	1	
5	8270280003	Pist.-wrist pin assy.	1	
5	8270280004	Pist.-wrist pin assy.	1	
5	827029	Pist.-wrist pin assy.	1	
5	827030	Pist.-wrist pin assy.	1	
5	827031	Pist.-wrist pin assy.	1	
6	486294	Gasket ring	1	
6	488008	Gasket ring	1	
6	488012	Gasket ring	1	
6	488016	Gasket ring	1	
7	486295	Scraper ring	1	
7	488009	Scraper ring	1	
7	488013	Scraper ring	1	
7	488017	Scraper ring	1	
8	486355	Scraper ring	1	
8	488010	Scraper ring	1	
8	488014	Scraper ring	1	
8	488018	Scraper ring	1	
9	485520	Gasket	1	
9	485579	Gasket	1	
9	485580	Gasket	1	
9	828146	Cylinder base gasket 0,4	1	
9	828147	Cylinder base gasket 0,6	1	
9	828148	Cylinder base gasket 0,8	1	

Assembly	Engine
Code	T5
Description	Cylinder head-valves
Revision	1



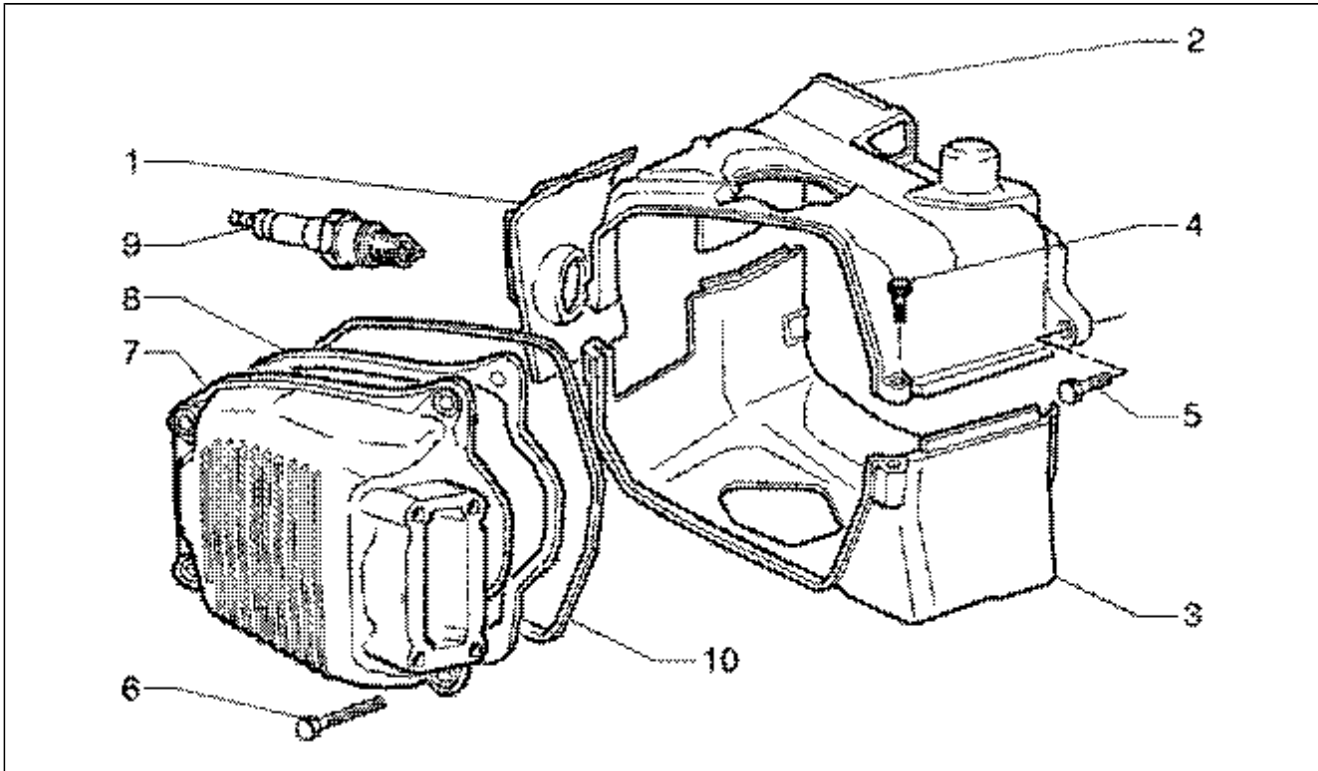
Pos.	Code	Description	Q.ty	Variants
1	285846	Valve half-cone	4	
2	483914	Cup	2	
3	483915	Valve spring	2	
4	436438	Valve gasket ring	2	
5	483711	Cup	2	
6	483706	Intake valve	1	
6	483707	Exhaust valve d.21	1	
7	82682R	Cylinder head gasket	1	
8	484614	Cylinder head	1	
8	82777R	Cylinder head assy.	1	
9	485603	Screw w/ flange m6x100	2	
10	277916	Locating dowel	2	
11	435571	Locating dowel	2	
12	435629	Stud bolt	2	
13	411296	Nut	4	
14	483164	Flat washer	4	
15	434716	Gasket	1	
16	239397	Stud bolt	2	

Assembly	Engine
Code	T6
Description	Rocker levers support
Revision	1



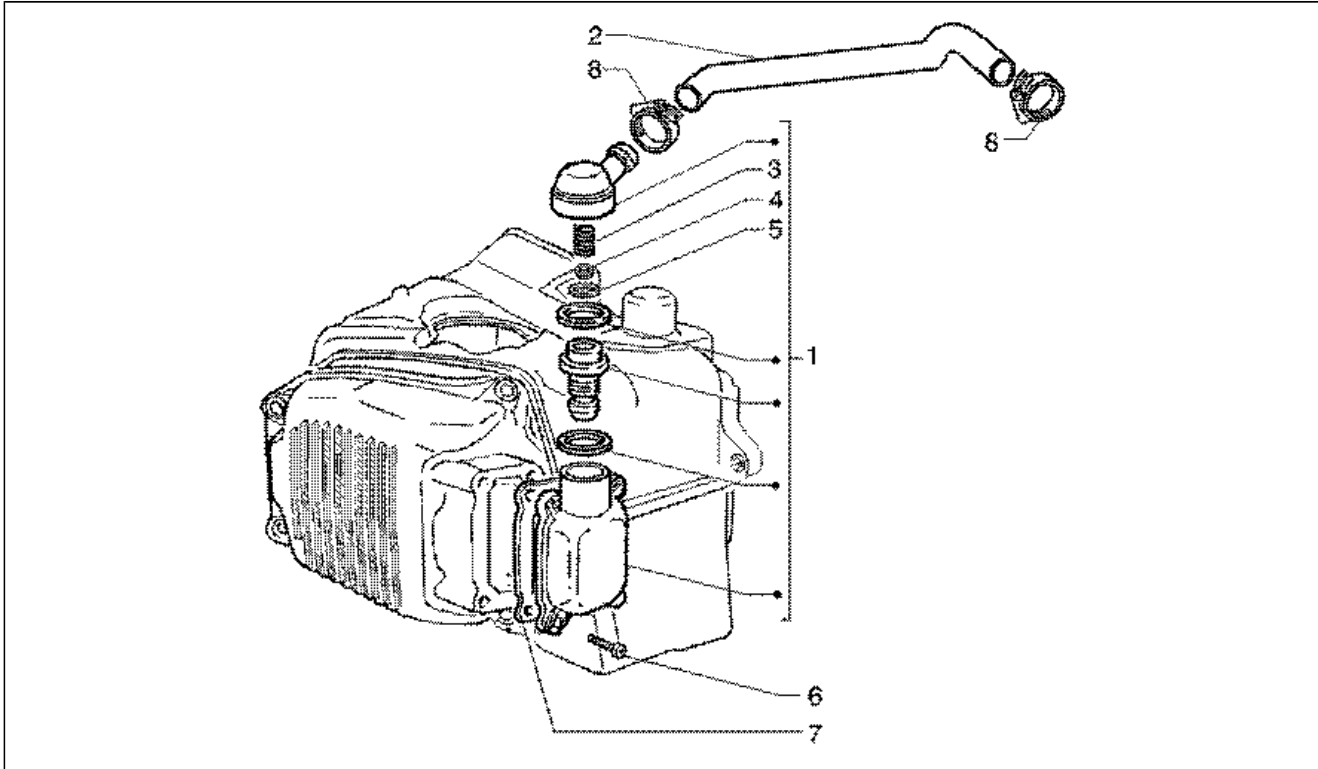
Pos.	Code	Description	Q.ty	Variants
1	484819	Nut	2	
2	484654	Screw m6x14,6	2	
2	82817R	Adjuster screw	1	
3	830453	Rocker arm assy.	2	
4	825363	Washer	1	
5	8291335	Camshaft	1	
6	486339	Rocker arms axis	1	
7	486336	Timing system gear	1	
8	486331	Counterweight	1	
9	414838	Screw m6X35	1	
10	486974	Spring	1	
11	833308	Plate	1	
12	484123	Screw w/ flange	2	
13	8291345	Counterweight	1	
14	487832	Plate	1	
15	487833	Gasket	1	
16	826396	Drum	1	
17	018538	Screw w/ flange M5x30	4	

Assembly	Engine
Code	T7
Description	Cylinder head
Revision	1



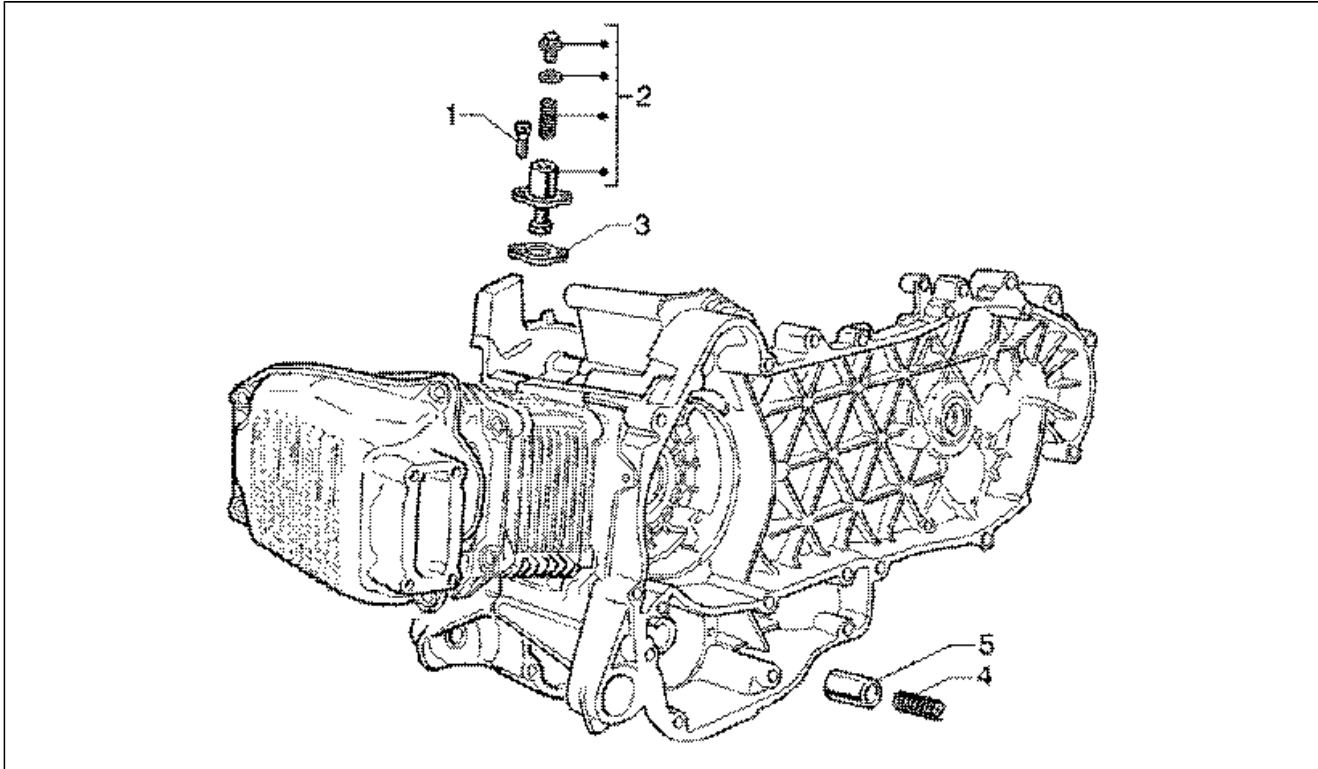
Pos.	Code	Description	Q.ty	Variants
1	825368	Spark plug cover	1	
2	825420	Guard	1	
2	843443	Guard	1	
3	825421	Guard	1	
3	833821	Guard	1	
4	015835	Screw	1	
5	296324	Screw	1	
6	031091	Screw	1	
7	484573	Head cover	1	
8	487968	Gasket	1	
9	602263M	Spark plug	1	
9	638853	Spark plug CR8EB	1	
9	8288665	Spark plug	1	
10	825364	Gasket	1	
11	231590	Hose clamp	1	

Assembly	Engine
Code	T8
Description	Oil drain
Revision	1



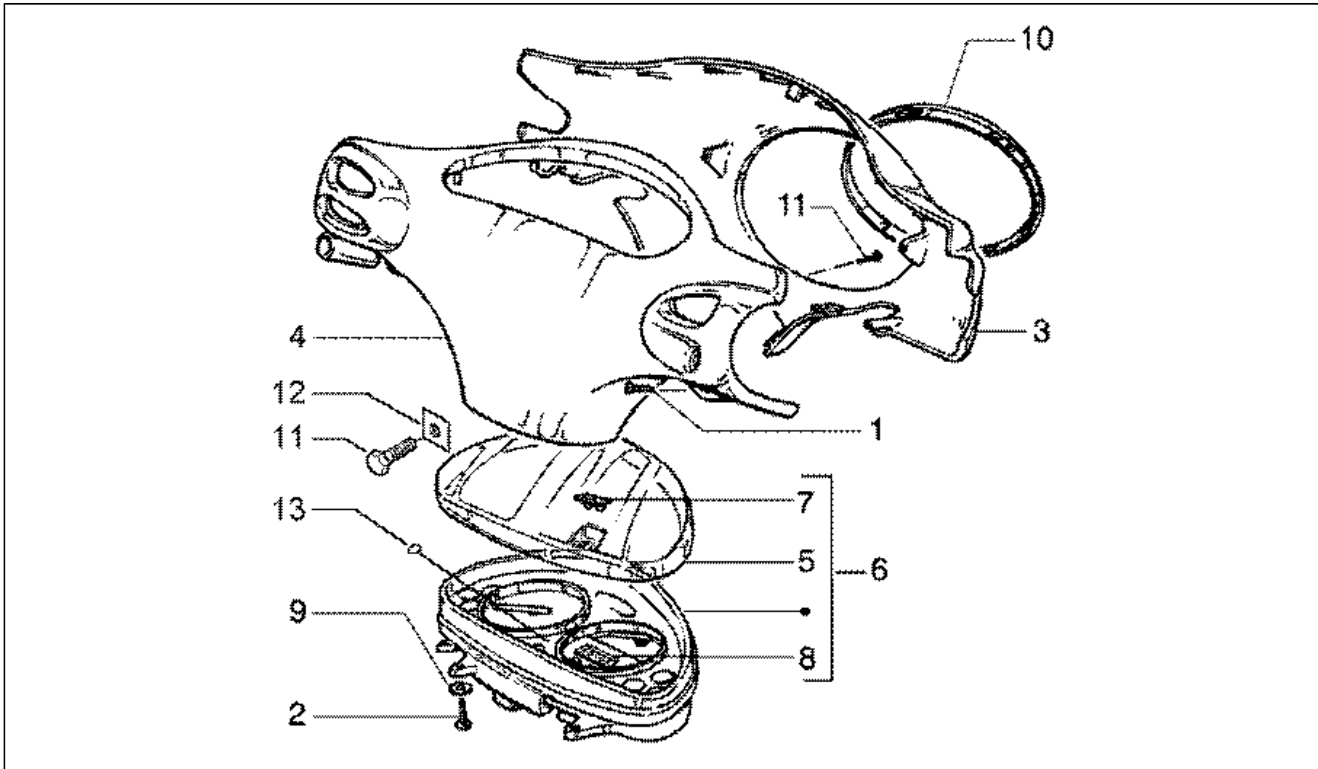
Pos.	Code	Description	Q.ty	Variants
1	829008	Oil breather valve	1	
2	484033	Breather pipe	1	
3	430771	Spring	1	
4	430770	Cup	1	
5	430769	Oil breather diaphragm	1	
6	828653	Screw	4	
7	487989	Gasket	1	
8	CM001904	Hose clamp	2	

Assembly	Engine
Code	T9
Description	Chain tightener-by-pass valve
Revision	1



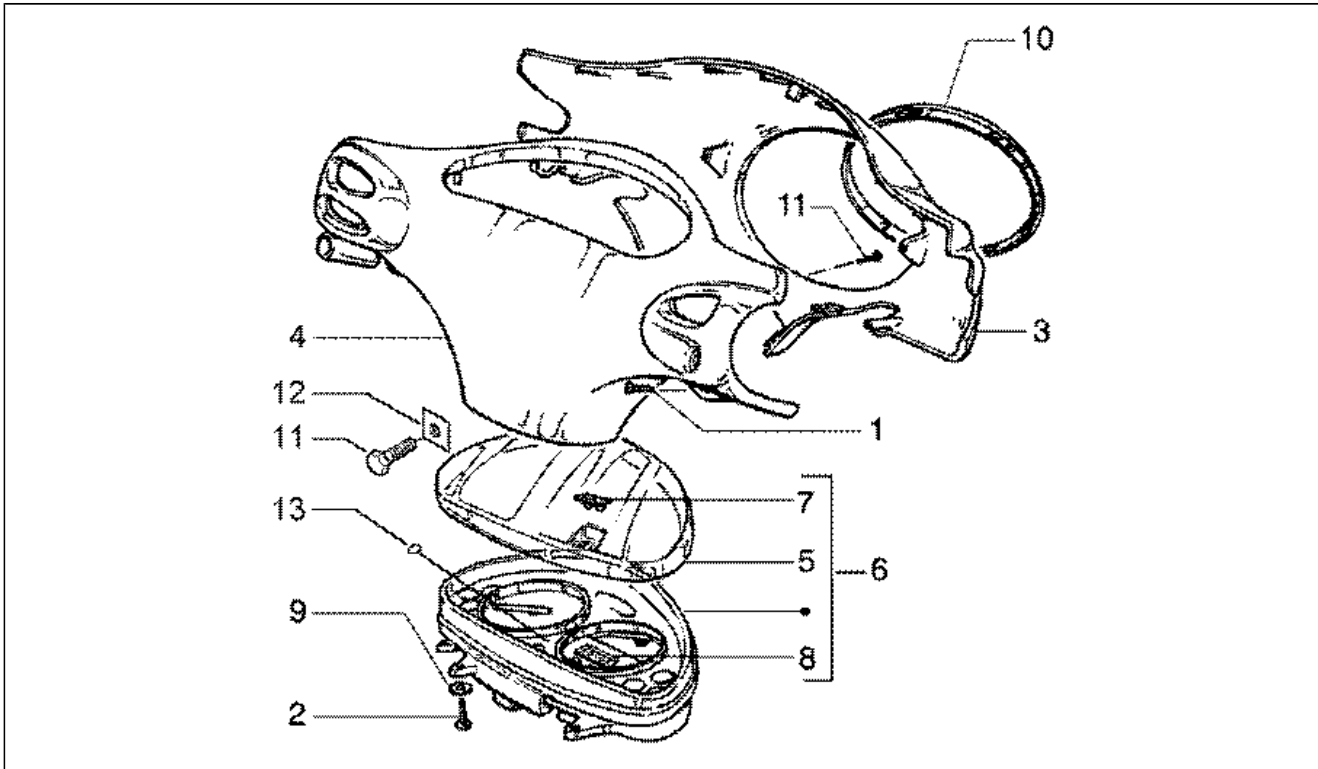
Pos.	Code	Description	Q.ty	Variants
1	434541	Screw w/ flange M6x16	2	
2	82650R	Chain tensioner assy.	1	
3	430350	Gasket	1	
4	485655	Spring	1	
5	483923	Oil pressure adjusting valve	1	
5	829661	Oil pressure valve	1	
6	828583	Washer	2	

Assembly	Handlebars
Code	T37
Description	Speedometers kms.-handlebar covers
Revision	1



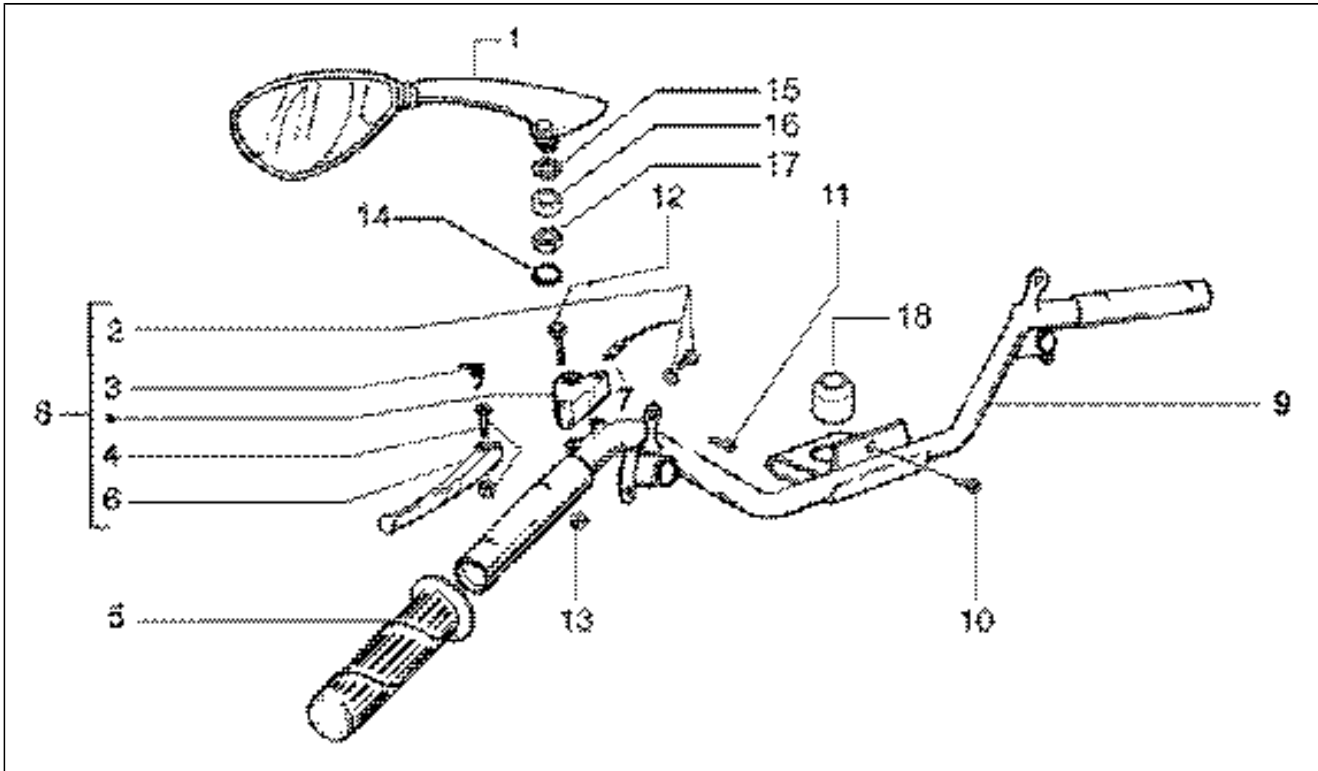
Pos.	Code	Description	Q.ty	Variants
1	267958	Self tapping screw	1	
2	267115	Self-tap screw m4x16	4	
3	42720000AA	Handlebar cover	1	
3	42720000D9	Handlebar cover	1	
3	42720000F2	Handlebar cover	1	
3	42720000P1	Front handlebars cover	1	
3	42720000V8	Front handlebars cover	1	
3	42720000V9	Front handlebars cover	1	
3	42720000VA	Front handlebars cover	1	
3	4272005	Front handlebars cover	1	
3	4272005060	Front handlebars cover	1	
3	4272005066	Front handlebars cover	1	
3	4272005087	Front handlebars cover	1	
3	4272005090	Front handlebars cover	1	
3	4272005095	Front handlebars cover	1	
3	42720050A7	Front handlebars cover	1	
3	42720050B2	Front handlebars cover	1	
3	42720050D1	Front handlebars cover	1	
3	42720050F1	Front handlebars cover	1	
3	42720050R2	Front handlebars cover	1	
3	42720050R3	Front handlebars cover	1	
3	42720050R7	Handlebar cover	1	
3	42720050V6	Front handlebars cover	1	
4	42740000AA	Handlebar cover	1	
4	42740000D9	Handlebar cover	1	
4	42740000F2	Handlebar cover	1	
4	42740000P1	Rear handlebars cover	1	
4	42740000V8	Rear handlebars cover	1	

Assembly	Handlebars
Code	T37
Description	Speedometers kms.-handlebar covers
Revision	1



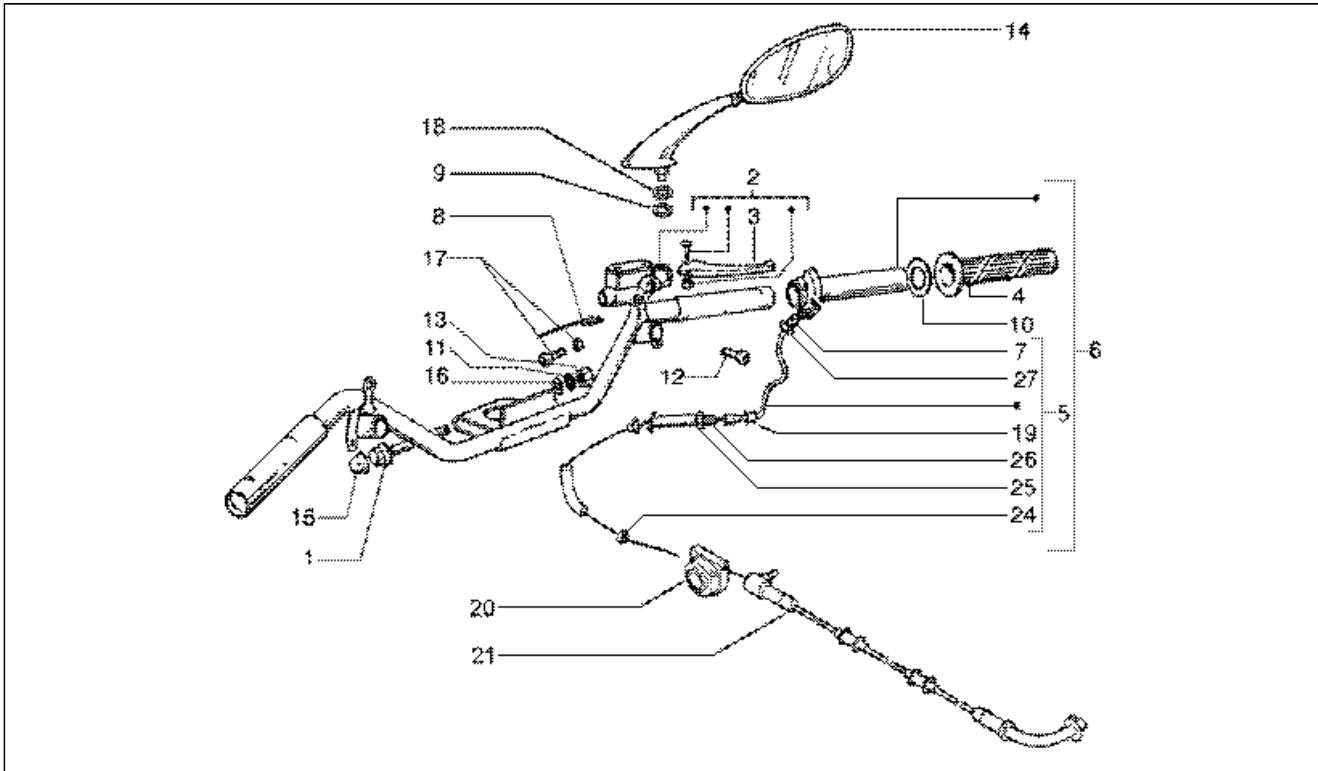
Pos.	Code	Description	Q.ty	Variants
4	4274000V9	Rear handlebars cover	1	
4	4274000VA	Rear handlebars cover	1	
4	4274005	Rear handlebars cover	1	
4	4274005060	Rear handlebars cover	1	
4	4274005066	Rear handlebars cover	1	
4	4274005087	Rear handlebars cover	1	
4	42740050A7	Rear handlebars cover	1	
4	42740050B2	Rear handlebars cover	1	
4	42740050D1	Rear handlebars cover	1	
4	42740050F1	Rear handlebars cover	1	
4	42740050R2	Rear handlebars cover	1	
4	42740050R3	Rear handlebars cover	1	
4	42740050R7	Rear handlebars cover	1	
4	42740050V6	Rear handlebars cover	1	
4	4274905	Rear handlebars cover	1	
4	4274955	Rear handlebars cover	1	
5	494518	Speed. kms. cover	1	
6	583280	Meter combination	1	
8	494521	Clock	1	
9	013769	Washer	4	
10	560671	Frame	1	
11	270793	Screw	3	
12	185802	Spring plate	1	
13	576521	Piaggio Shield	1	

Assembly	Handlebars
Code	T38
Description	Handlebars component parts
Revision	1



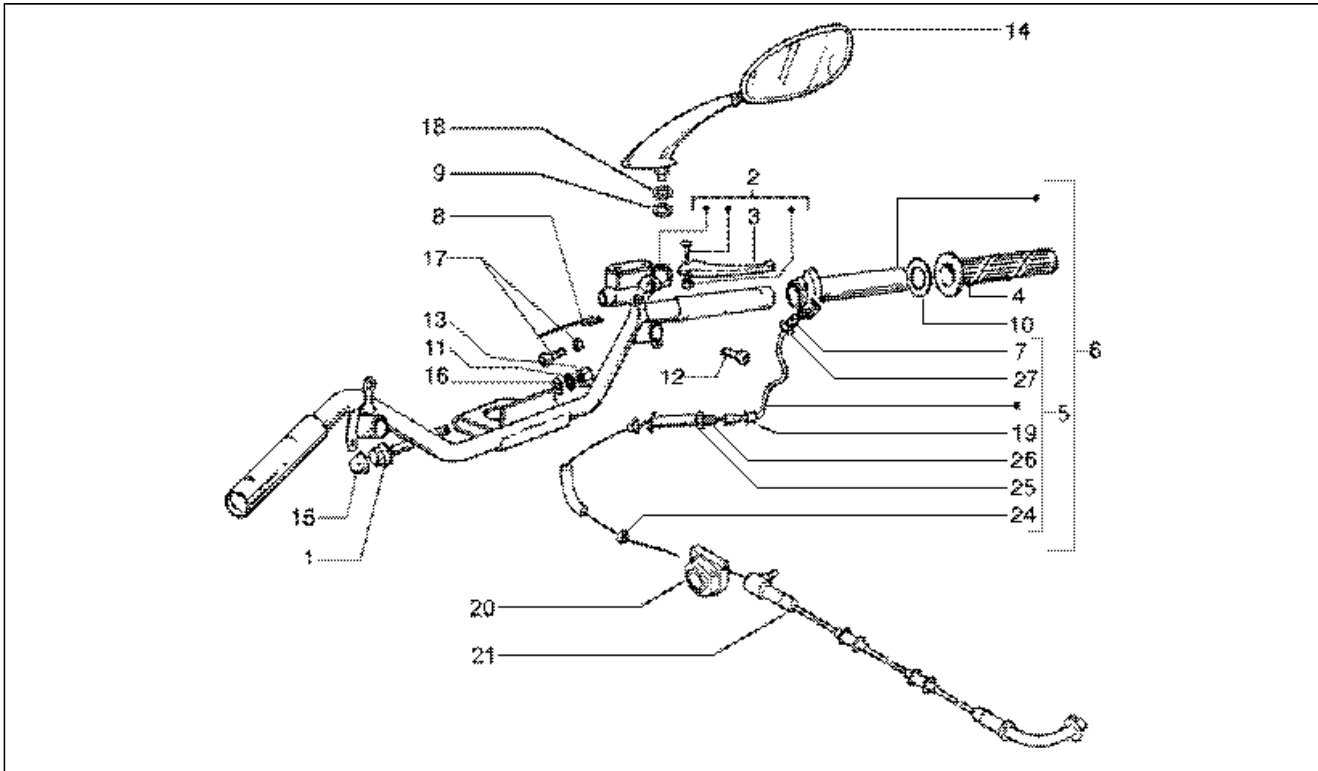
Pos.	Code	Description	Q.ty	Variants
1	581554	Driving mirror	1	
2	123394	Screw	1	
3	267948	Spring	1	
4	265249	Screw complete	1	
5	560580	Grip	1	
6	564642	Lever	1	
7	580953	Button	2	
8	564641	Hose	1	
9	5817164	Handlebar	1	
10	270793	Screw	1	
11	258146	Self-tap screw m3x20	2	
12	030034	Screw	1	
13	440785	Nut	2	
14	562401	Ring	1	
15	005955	Ring	1	
16	562399	Spacer	1	
17	020008	Nut	1	
18	582828	Collar	1	

Assembly	Handlebars
Code	T39
Description	Handlebars component parts
Revision	1



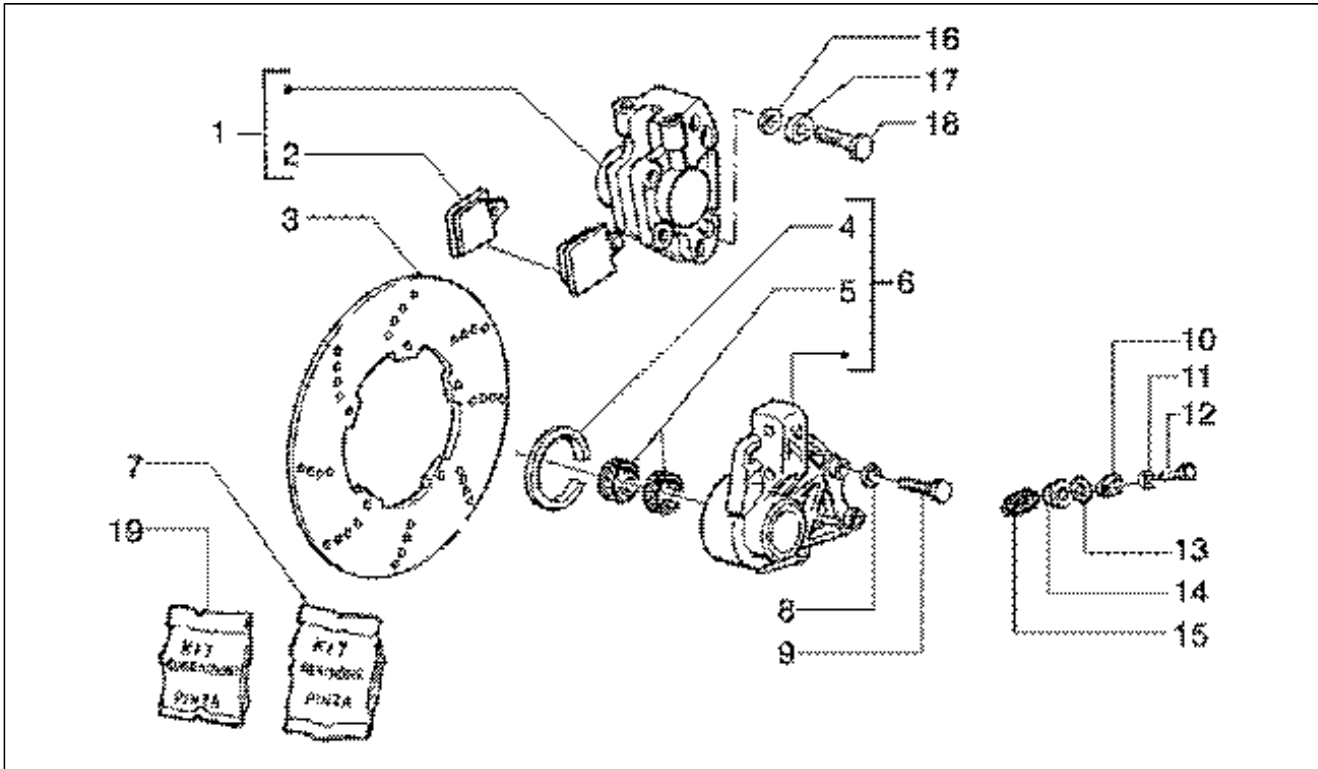
Pos.	Code	Description	Q.ty	Variants
1	223605	Screw	1	
2	56008R	Brakes pump	1	
3	494948	Brake lever	1	
3	497039	Lever	1	
4	560582	Grip	1	
5	CM065907	Transmission	1	
6	CM060912	Hose	1	
6	CM060942	Hose	1	
7	269145	Adjuster screw	1	
8	580953	Button	1	
9	562401	Ring	1	
10	562923	Washer	1	
11	012543	Plain washer	1	
12	008457	Self-tap screw m4,2x19	1	
13	015330	Nut	1	
14	581555	Driving mirror	1	
15	128009	Cap	1	
16	178790	Flat washer	1	
17	123394	Screw	1	
18	005955	Ring	1	
19	563989	Fairlead	1	
20	583252	Cage	1	
21	583248	Cap	1	
22	582873	Cap	1	
23	583327	Ring	1	
24	002613	Nut	1	
25	020105	Nut	1	
26	020206	Nut	2	

Assembly	Handlebars
Code	T39
Description	Handlebars component parts
Revision	1



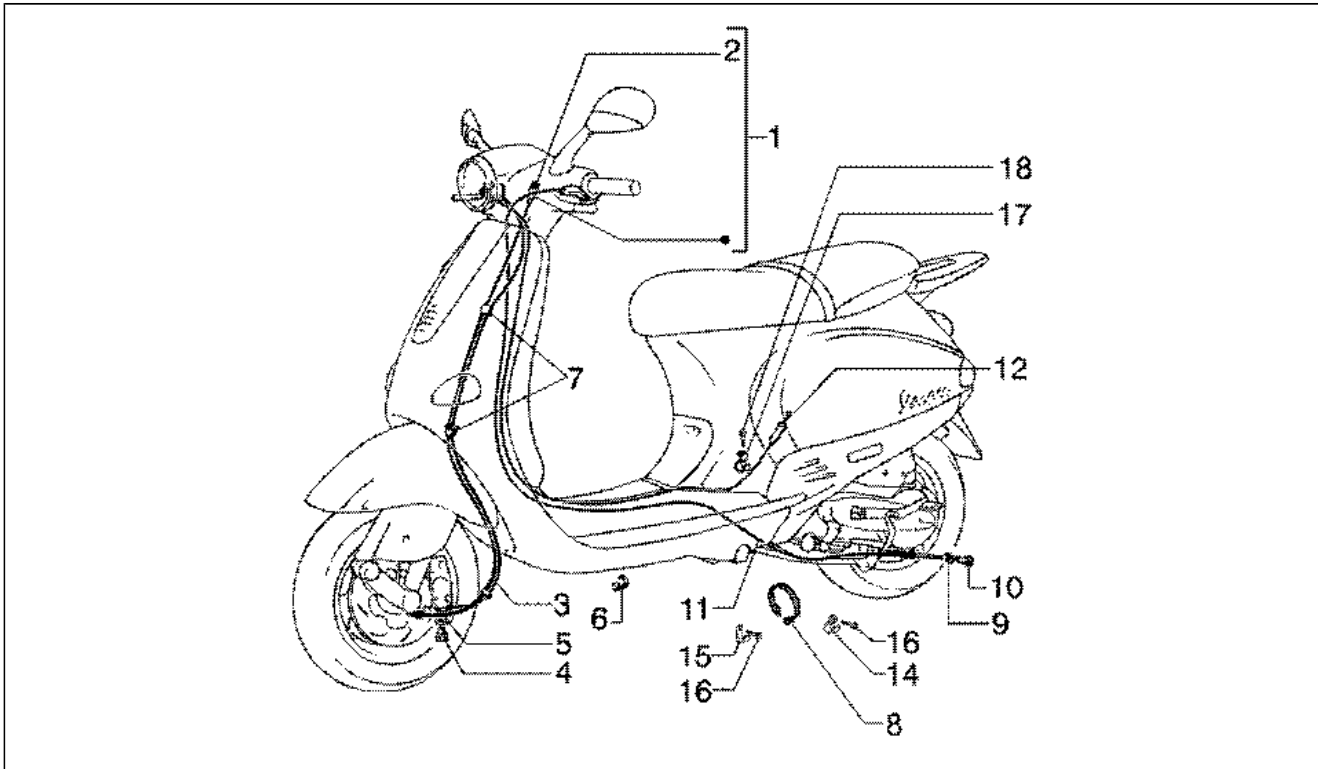
Pos.	Code	Description	Q.ty	Variants
26	147511	Protection	1	

Assembly	Transmissions
Code	T34
Description	Disc brake caliper
Revision	1



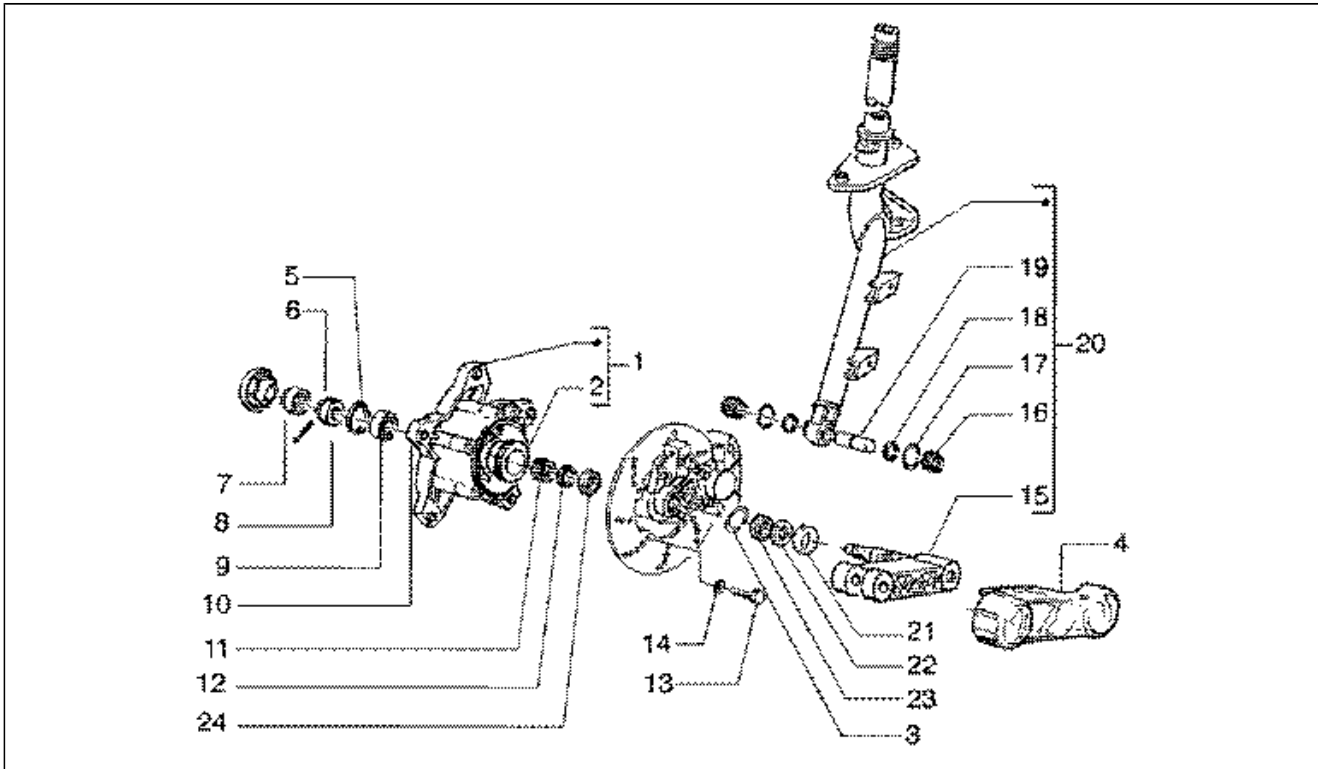
Pos.	Code	Description	Q.ty	Variants
1	CM066101	Brake caliper	1	
1	CM076101	Brake caliper	1	
2	494097	Brake pads kit	1	
2	494938	Brake pads kit	1	
3	563246	Brake disc	1	
4	177494	Ring	1	
5	177436	Drawn cap	2	
6	560286	Support	1	
7	498849	Brake caliper rev. kit	1	
8	006968	Washer	2	
9	031120	Screw	2	
10	269118	Plate	1	
11	006975	Washer 5,3x10x0,5	1	
12	031058	Screw	1	
13	266841	Drift	1	
14	564053	Support	1	
15	267819	Pinion	1	
16	709047	Washer	2	
17	003058	Washer	1	
18	597150	Screw	2	
19	498850	Kit caliper overh.	1	

Assembly	Transmissions
Code	T40
Description	Transmissions
Revision	1



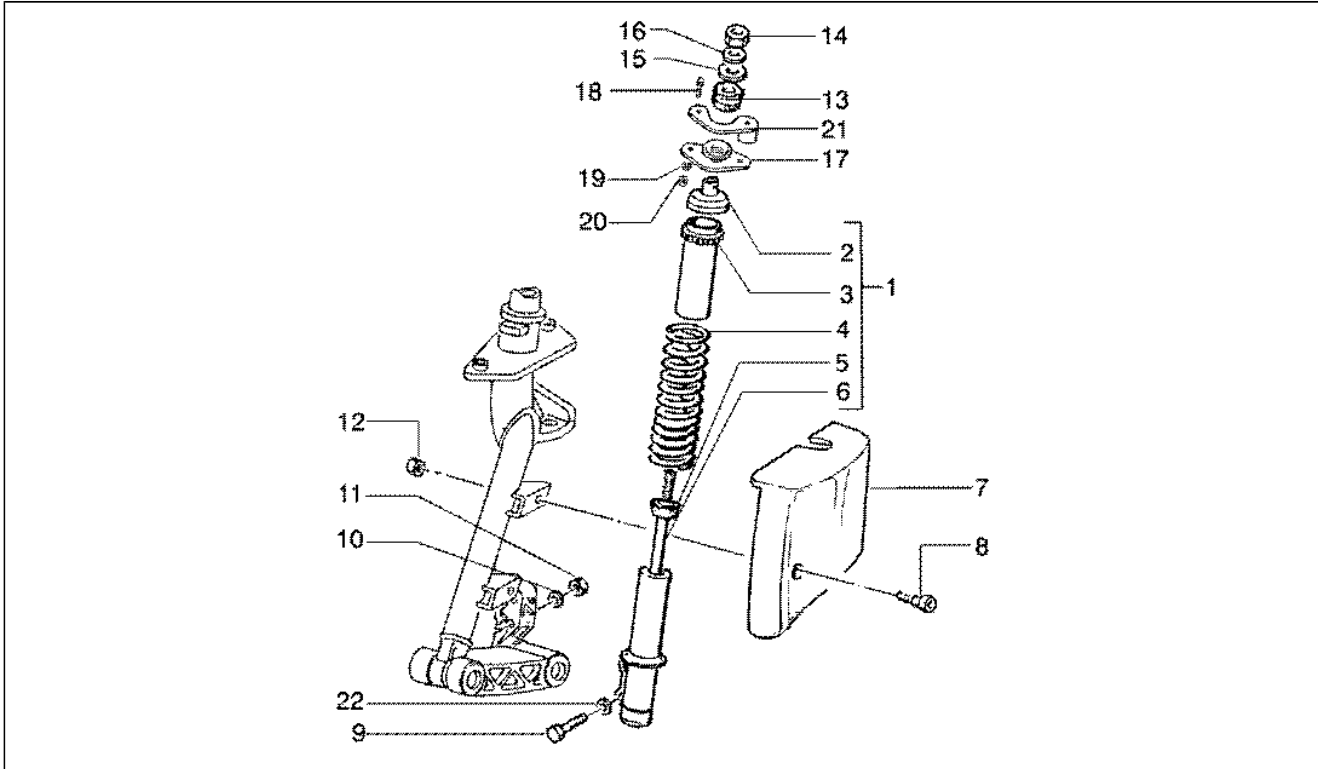
Pos.	Code	Description	Q.ty	Variants
1	581693	Speedometer transmission	1	
2	561806	Wire	1	
3	564627	Piping	1	
4	265451	Oil pipe screw	1	
5	127927	Washer	1	
6	268172	Spring	1	
7	109960	Hose clamp	2	
8	145298	Hose clamp	1	
9	179640	Pin	1	
10	270310	Screw rear brake	1	
11	564217	Brake transmiss.	1	
12	582872	Transmission	1	
12	599312	Throttle transmiss.	1	
14	482291	Hose clamp	1	
15	482291	Hose clamp	2	
16	289731	Screw w/ flange M6x30	2	
17	273779	Hose clamp	1	
18	015911	Screw	1	

Assembly	Suspensions-Wheels
Code	T33
Description	Steering column-disc brake
Revision	1



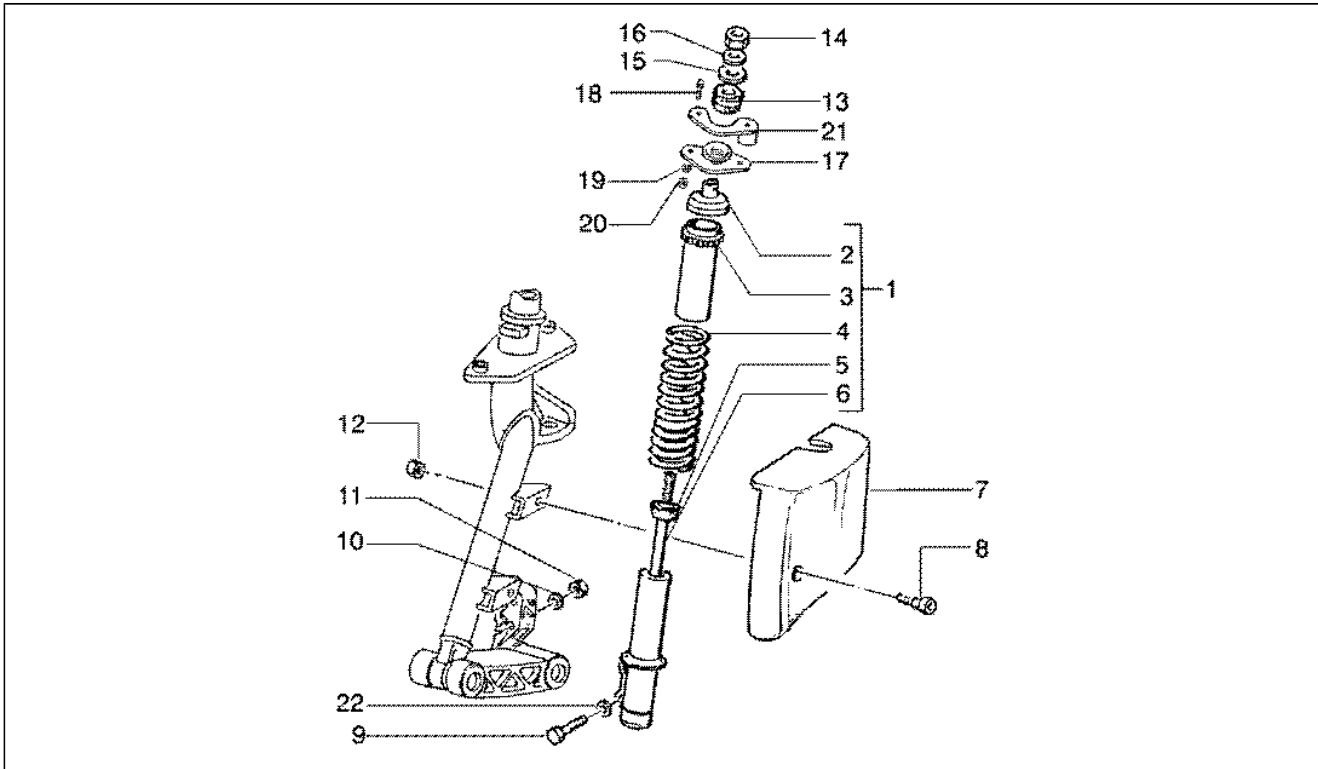
Pos.	Code	Description	Q.ty	Variants
1	560284	Wheel hub	1	
2	267818	Ring gear counts Km socket	1	
3	177414	Washer	1	
4	561433	Protection	1	
5	021114	Nut	1	
6	177609	Cap	1	
7	182546	Plug	1	
8	012789	Split pin	1	
9	006635	Snap ring	1	
10	177610	Bearing	1	
11	177442	Drawn cap	1	
12	177443	Ring	1	
13	271147	Screw	1	
14	006966	Spring washer 6,4x11x0,5	1	
15	2737115	Suspension arm	1	
16	137146	Drawn cap	2	
17	006731	Gasket	2	
18	119219	Oil seal	2	
19	177451	Piston pin	1	
20	5649775	Steering tube	1	
21	177408	Ring	1	
22	177445	Washer	1	
23	177521	Ring	1	
24	006422	Ring	1	

Assembly	Suspensions-Wheels
Code	T35
Description	Front damper cover
Revision	1



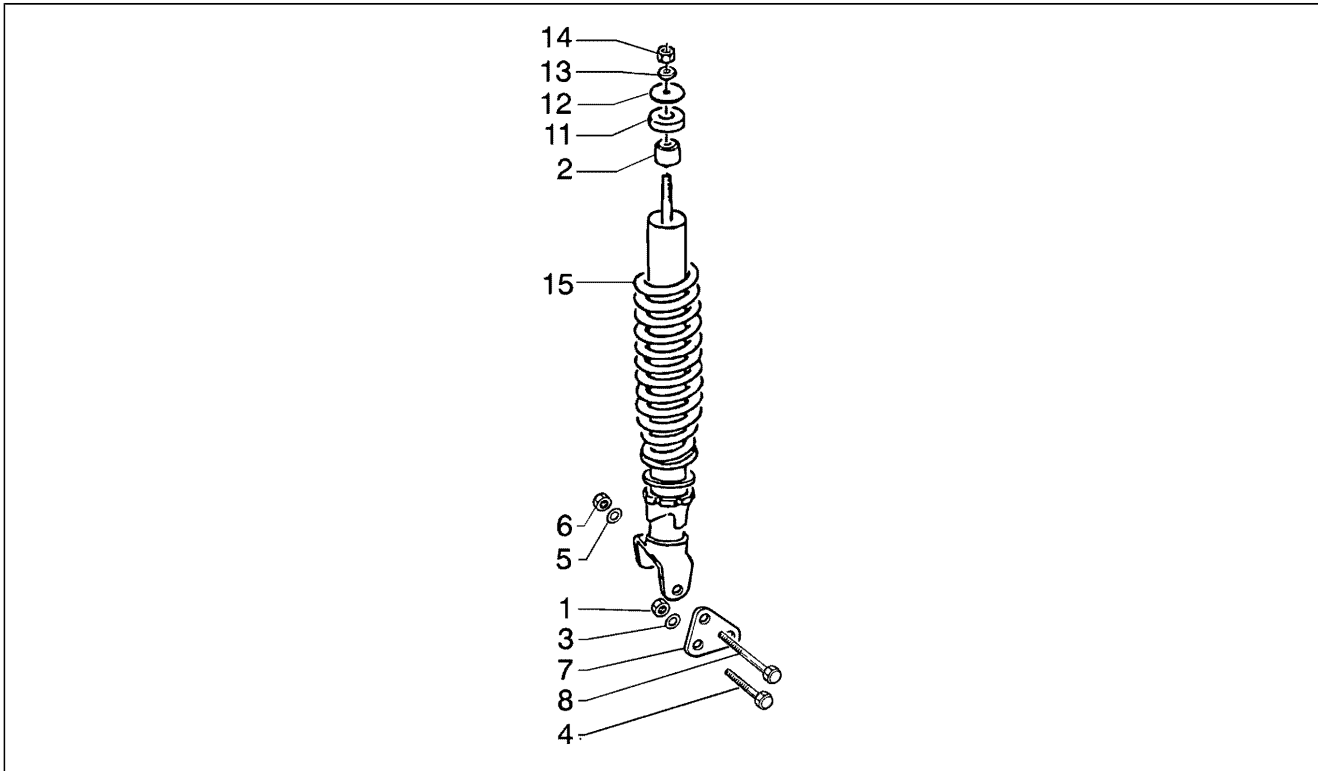
Pos.	Code	Description	Q.ty	Variants
1	56072R	Shock absorber	1	
1	598922	Shock absorber	1	
2	562427	Disc	1	
3	267837	Protection	1	
4	274722	Spring	1	
5	272492	Spacer	1	
6	561756	Shock absorber	1	
7	82170000AA	Tyre	1	
7	82170000D9	Tyre	1	
7	82170000F2	Tyre	1	
7	82170000P1	Tyre	1	
7	82170000V8	Tyre	1	
7	82170000V9	Tyre	1	
7	82170000VA	Tyre	1	
7	8217005	Tyre	1	
7	8217005060	Tyre	1	
7	8217005066	Tyre	1	
7	8217005087	Tyre	1	
7	8217005090	Tyre	1	
7	8217005095	Tyre	1	
7	82170050A7	Tyre	1	
7	82170050B2	Tyre	1	
7	82170050D1	Tyre	1	
7	82170050F1	Tyre	1	
7	82170050R2	Tyre	1	
7	82170050R3	Tyre	1	
7	82170050R7	Tyre	1	
7	82170050V6	Tyre	1	

Assembly	Suspensions-Wheels
Code	T35
Description	Front damper cover
Revision	1



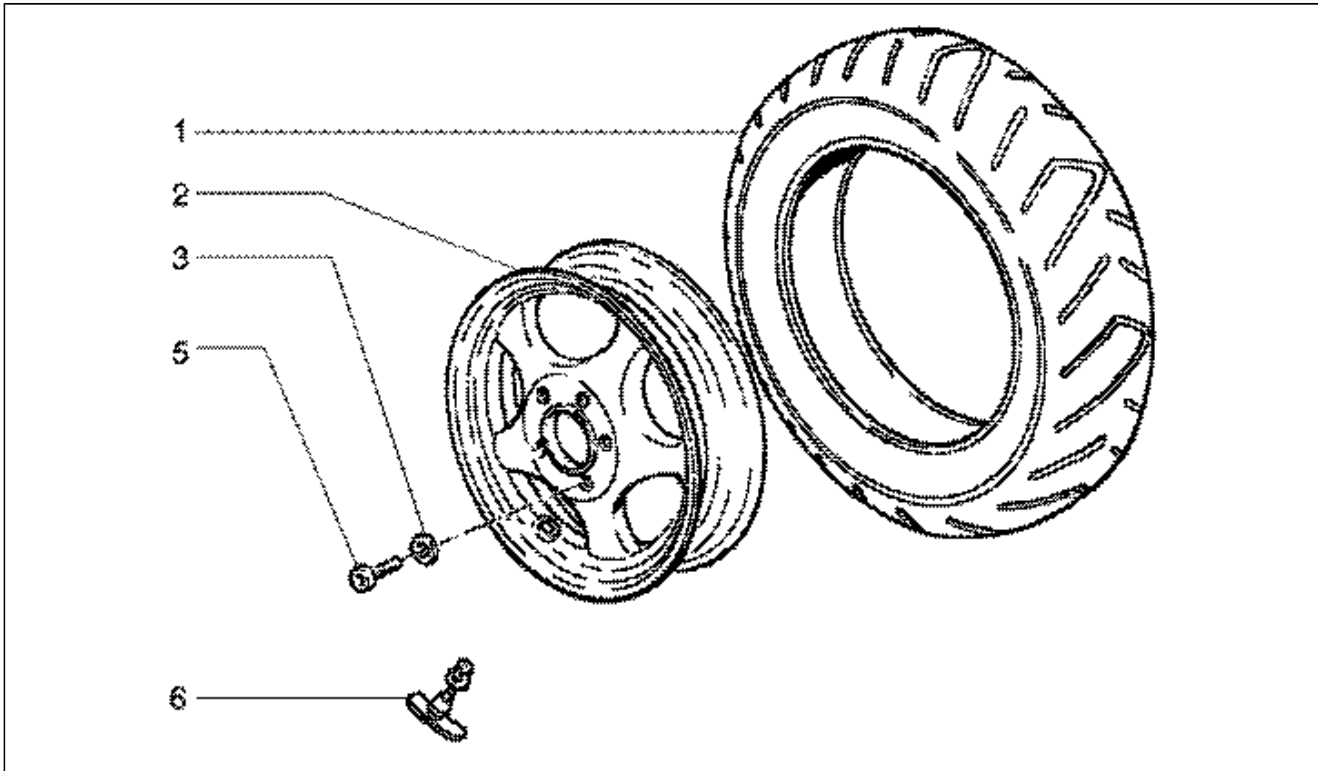
Pos.	Code	Description	Q.ty	Variants
8	575249	Screw	1	
9	149104	Screw m8x40	2	
10	016408	Spring washer	2	
11	020108	Nut M8x6,5	2	
12	288245	Flanged nut M6	1	
13	216209	Drift	2	
14	021210	Nut	1	
15	174088	Washer	1	
16	012535	Washer	1	
17	562305	Bracket	1	
18	031120	Screw	2	
19	016408	Spring washer	2	
20	020108	Nut M8x6,5	2	
21	563872	Clamp	1	
22	709047	Washer	1	

Assembly	Suspensions-Wheels
Code	T36
Description	Rear damper
Revision	1



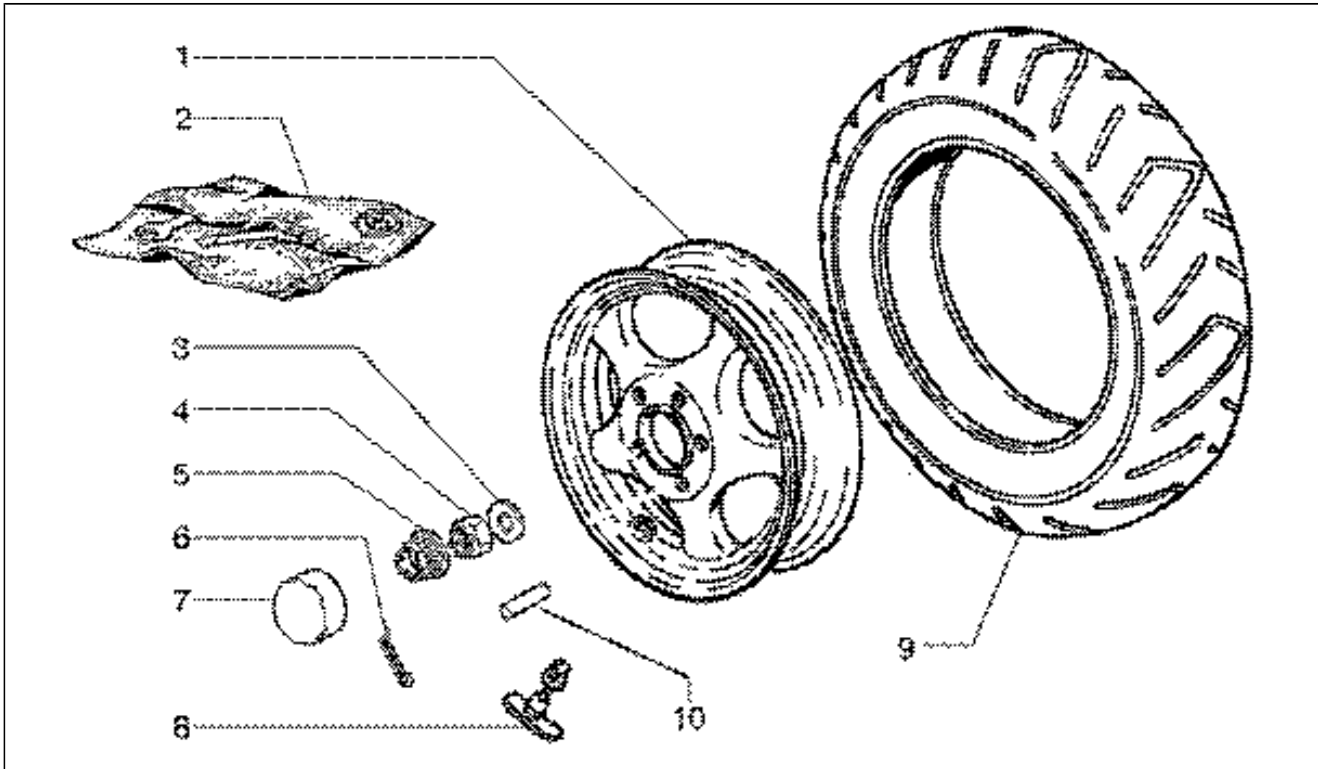
Pos.	Code	Description	Q.ty	Variants
1	020008	Nut	2	
2	178149	Lower buffer	1	
3	003058	Washer	1	
4	432334	Screw m8x50	2	
4	844483	Screw m8x50	2	
5	016626	Plain washer 10,4x18x2	1	
6	232108	Nut	1	
7	563324	Clamp	1	
8	268158	Screw	1	
11	178150	Upper buffer	1	
12	267038	Flat washer	1	
13	016408	Spring washer	1	
14	021108	Nut	1	
15	56071R	Not available	1	

Assembly	Suspensions-Wheels
Code	T47
Description	Front wheel
Revision	1



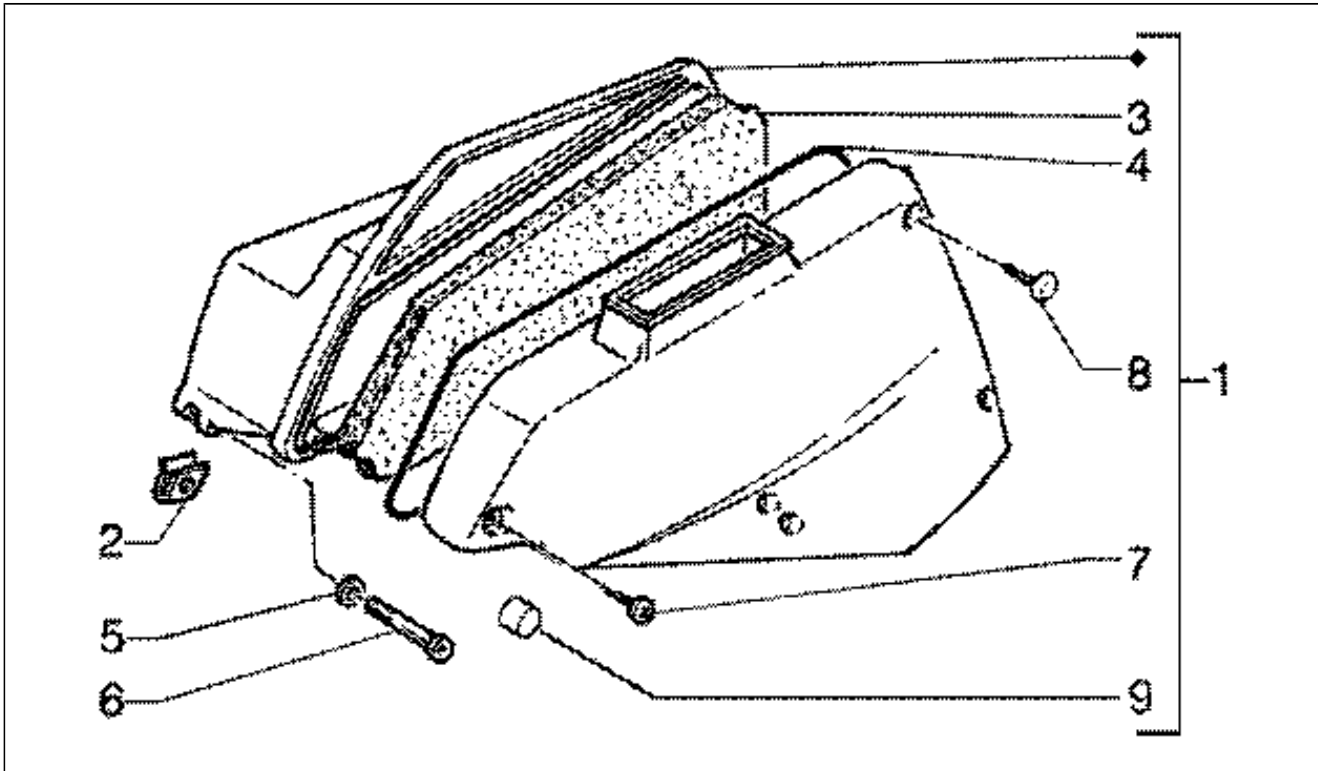
Pos.	Code	Description	Q.ty	Variants
1	560660	Tyre	1	
1	562388	Tyre	1	
1	562887	Tyre	1	
2	273847	Wheel	1	
2	273849	Wheel	1	
3	709047	Washer	5	
5	597150	Screw	5	
6	270991	Tubeless tyre valve	1	

Assembly	Suspensions-Wheels
Code	T48
Description	Rear wheel
Revision	1



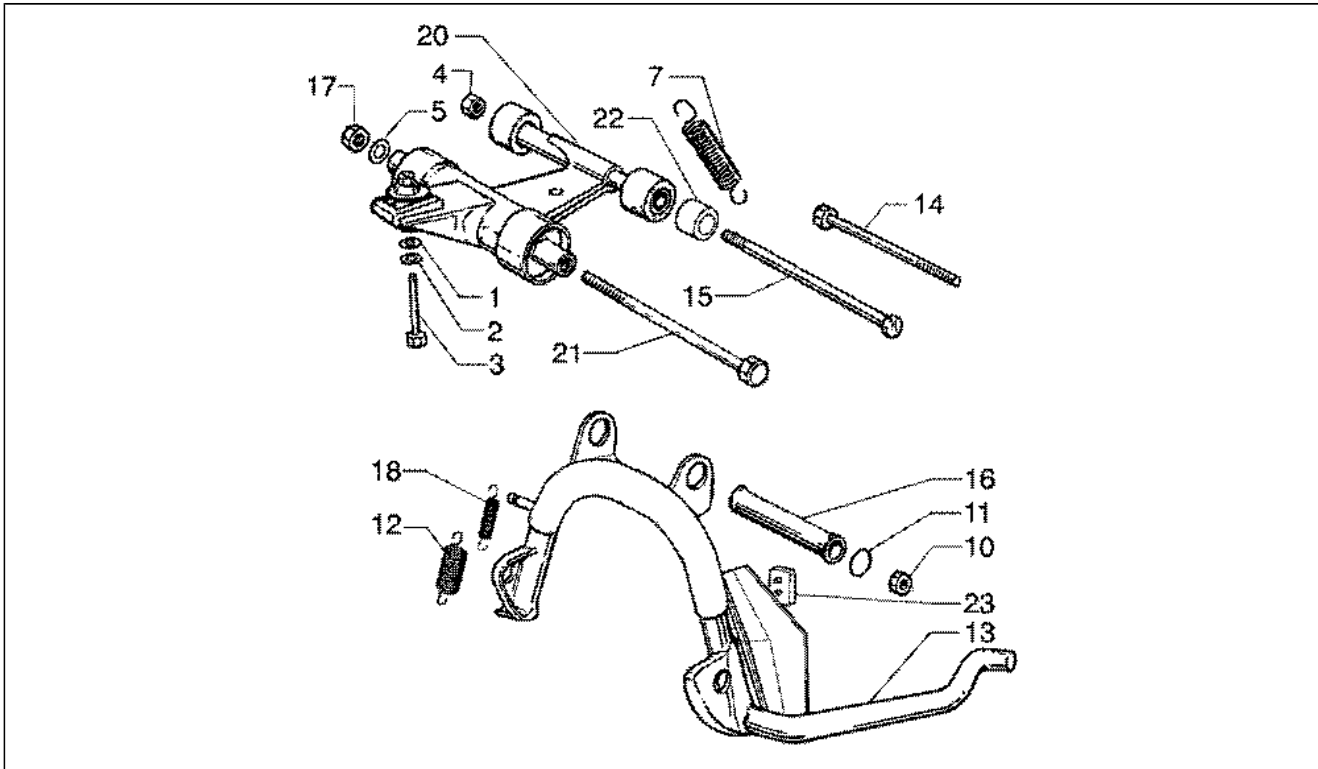
Pos.	Code	Description	Q.ty	Variants
1	273847	Wheel	1	
1	273849	Wheel	1	
2	5822514	Tool roll	1	
3	273099	Plain washer	1	
4	563728	Nut M16x13	1	
5	194423	Cap	1	
6	012789	Split pin	1	
7	182546	Plug	1	
8	270991	Tubeless tyre valve	1	
9	560661	Tyre	1	
9	562389	Tyre	1	
9	562888	Tyre	1	
10	487475	Spacer	1	
10	601205	Spacer	1	

Assembly	Chassis
Code	T22
Description	Air cleaner
Revision	1



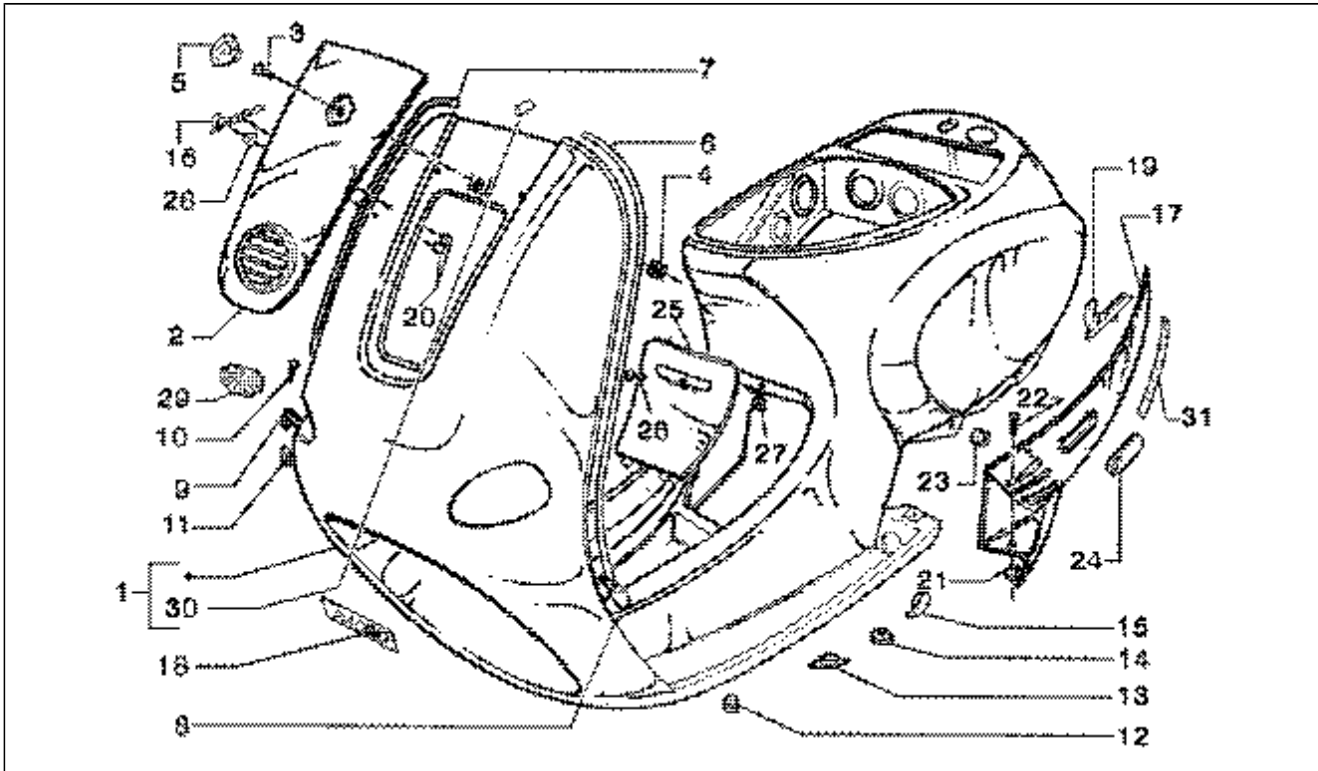
Pos.	Code	Description	Q.ty	Variants
1	827124	Air.cl.case	1	
2	254485	Clip M6	2	
3	487401	Air filter	1	
4	487402	Gasket	1	
5	012533	Washer 6,6x11x0	2	
6	018640	Screw	2	
7	258146	Self-tap screw m3x20	6	
8	479132	Knob	2	
9	258536	Bush	4	
9	830056	Bush	1	

Assembly	Chassis
Code	T24
Description	Central stand-swinging arm
Revision	1



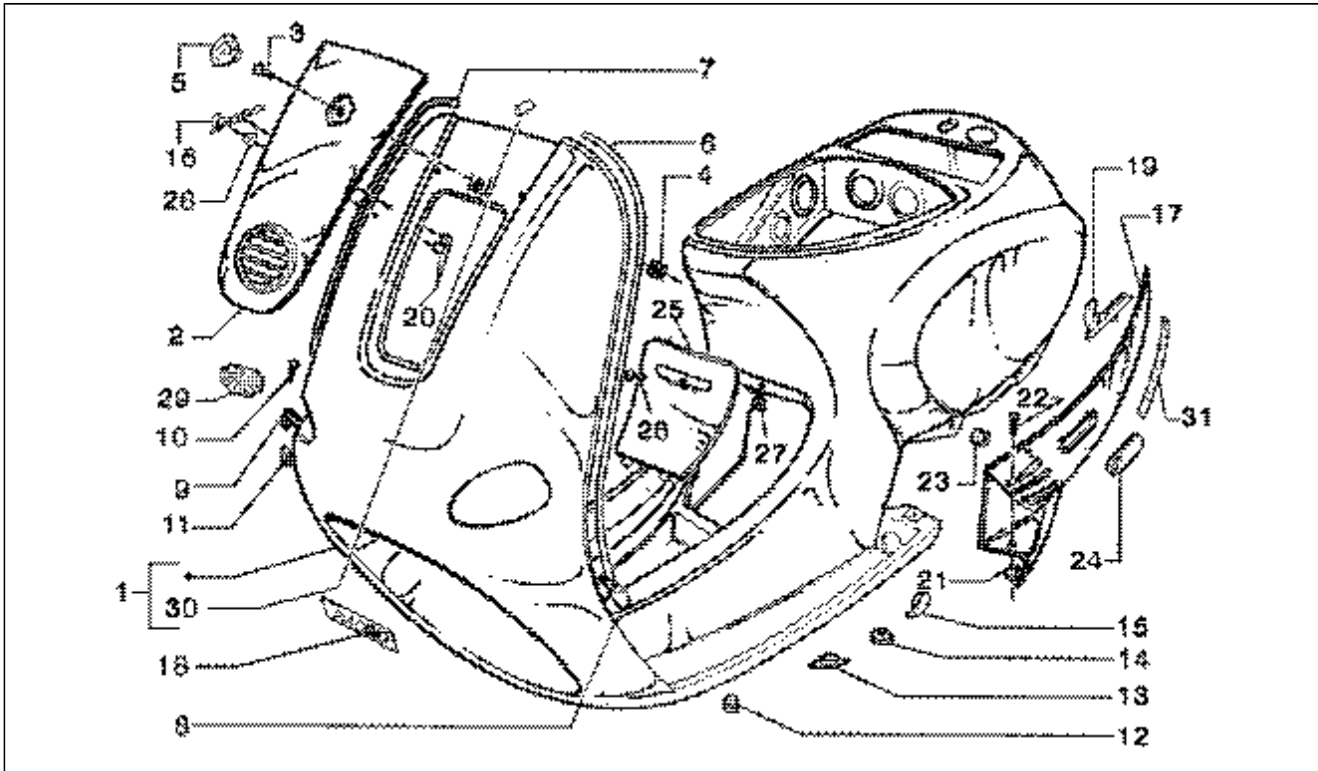
Pos.	Code	Description	Q.ty	Variants
1	122781	Washer	1	
2	016410	Washer	1	
3	560045	Screw	1	
4	232108	Nut	1	
5	709037	Washer 12,5x20x2	1	
7	564223	Spring	1	
10	232108	Nut	1	
11	273754	O-ring	2	
12	581249	Outer spring	1	
13	582151	Central stand	1	
14	030115	Screw	1	
15	271779	Screw M10x202	1	
16	582298	Spacer	1	
17	261319	Nut m12x1,25 h=12,5	1	
18	581248	Inner spring	1	
20	562605	Swinging arm	1	
21	560565	Bolt	1	
22	562310	Spacer	1	
23	563984	Drift	1	
23	600351	Stand end stop	1	

Assembly	Chassis
Code	T25
Description	Chasis
Revision	1



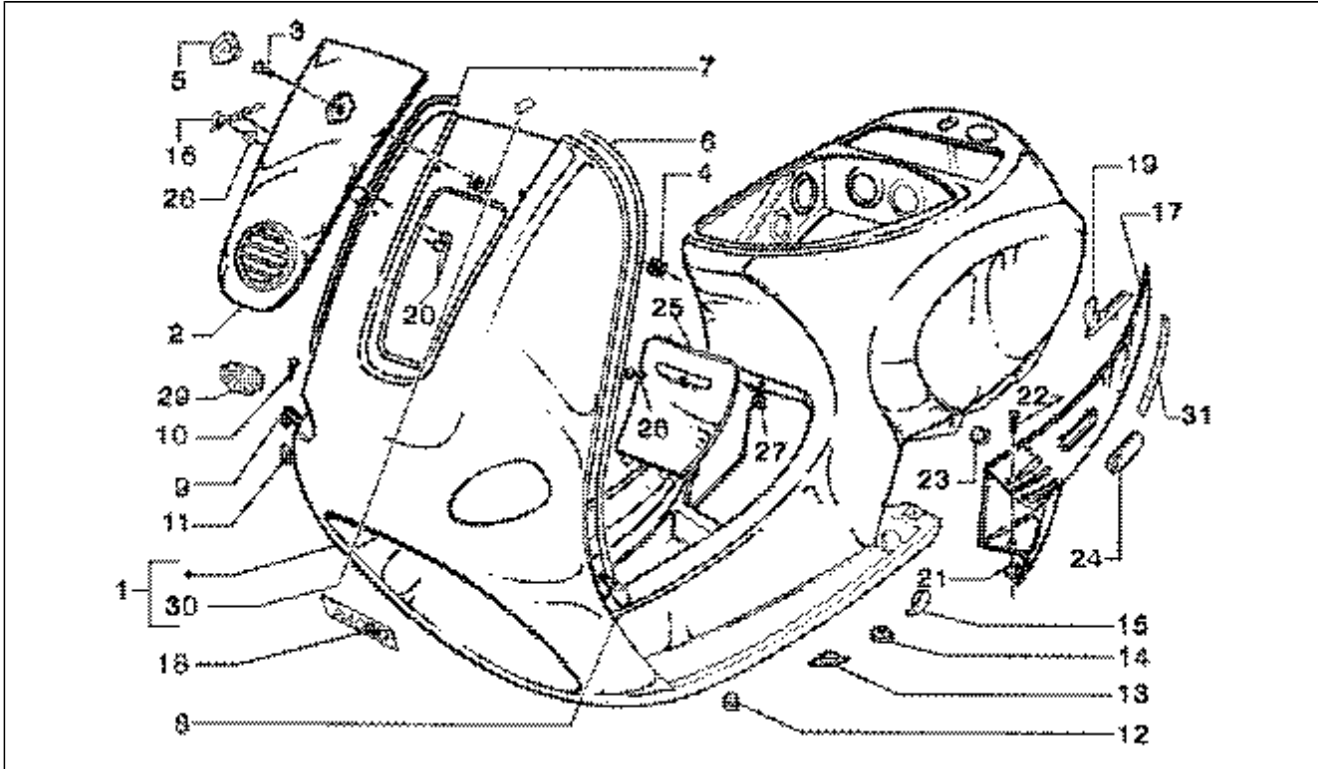
Pos.	Code	Description	Q.ty	Variants
1	57645501	Bodywork	1	
1	57645550R2	Bodywork	1	
1	5764556060	Bodywork	1	
1	5764556066	Bodywork	1	
1	5764556087	Bodywork	1	
1	5764556090	Bodywork	1	
1	5764556095	Bodywork	1	
1	57645560A7	Bodywork	1	
1	57645560AA	Bodywork	1	
1	57645560B2	Bodywork	1	
1	57645560D1	Bodywork	1	
1	57645560D9	Bodywork	1	
1	57645560F1	Bodywork	1	
1	57645560F2	Bodywork	1	
1	57645560P1	Bodywork	1	
1	57645560R3	Bodywork	1	
1	57645560R7	Bodywork	1	
1	57645560V6	Bodywork	1	
1	57645560V8	Bodywork	1	
1	57645560V9	Bodywork	1	
1	57645560VA	Bodywork	1	
2	47220000AA	Steering cover	1	
2	47220000D9	Steering cover	1	
2	47220000F2	Steering cover	1	
2	47220000P1	Steering cover	1	
2	47220000V8	Steering cover	1	
2	47220000V9	Steering cover	1	
2	47220000VA	Steering cover	1	

Assembly	Chassis
Code	T25
Description	Chasis
Revision	1



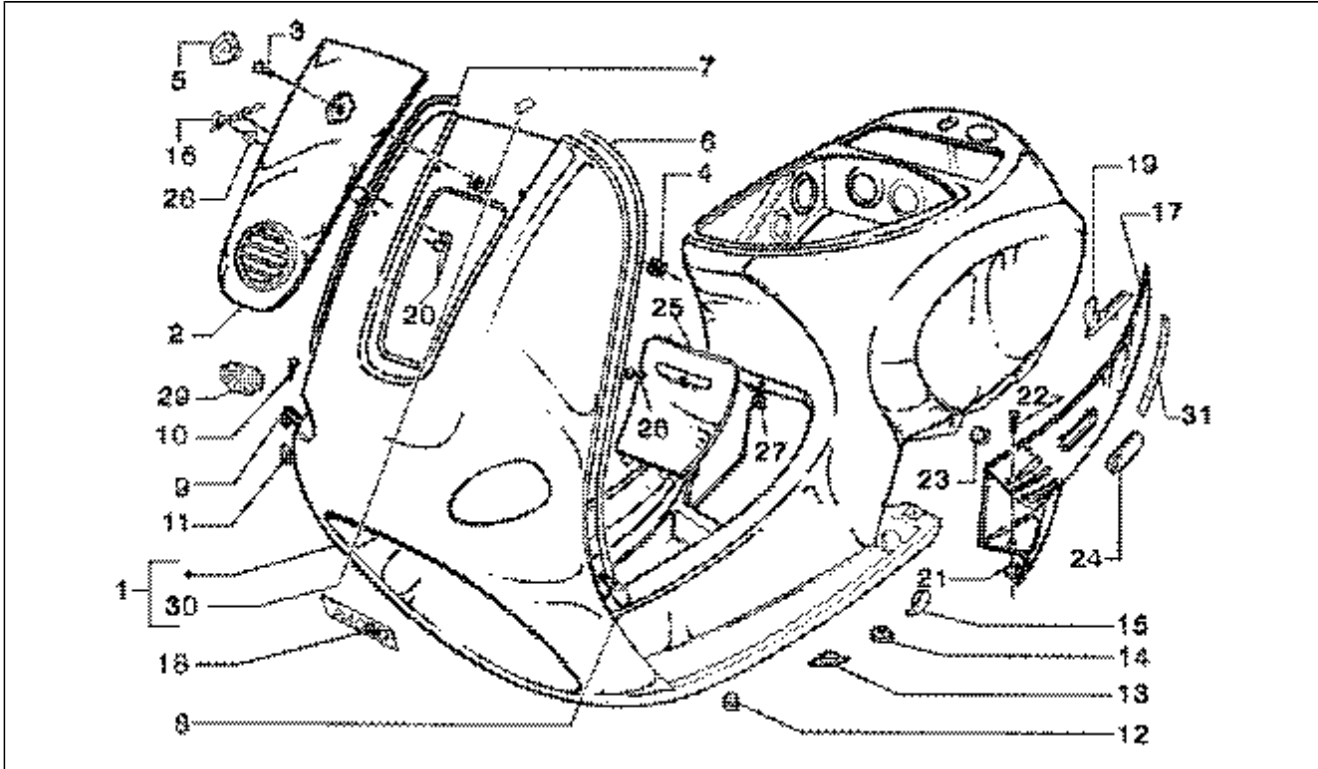
Pos.	Code	Description	Q.ty	Variants
2	4722005	Steering cover	1	
2	4722005060	Steering cover	1	
2	4722005066	Steering cover	1	
2	4722005087	Steering cover	1	
2	4722005090	Steering cover	1	
2	4722005095	Steering cover	1	
2	47220050A7	Steering cover	1	
2	47220050B2	Steering cover	1	
2	47220050D1	Steering cover	1	
2	47220050F1	Steering cover	1	
2	47220050R2	Steering cover	1	
2	47220050R3	Steering cover	1	
2	47220050R7	Steering cover	1	
2	47220050V6	Steering cover	1	
3	267958	Self tapping screw	1	
4	199190	Rubber spacer	1	
5	576464	Shield "Piaggio"	1	
6	573001	Windshield beading	1	
7	573002	Windshield beading	1	
8	299964	Butt strap	1	
9	299965	Butt strap	1	
10	008432	Screw d3,5x9,5	2	
11	267166	Plate	2	
12	299558	Plug	1	
13	299557	Plug	2	
14	299559	Plug	1	
15	299250	Plug	2	
16	577082	"Vespa" name plate	1	

Assembly	Chassis
Code	T25
Description	Chasis
Revision	1



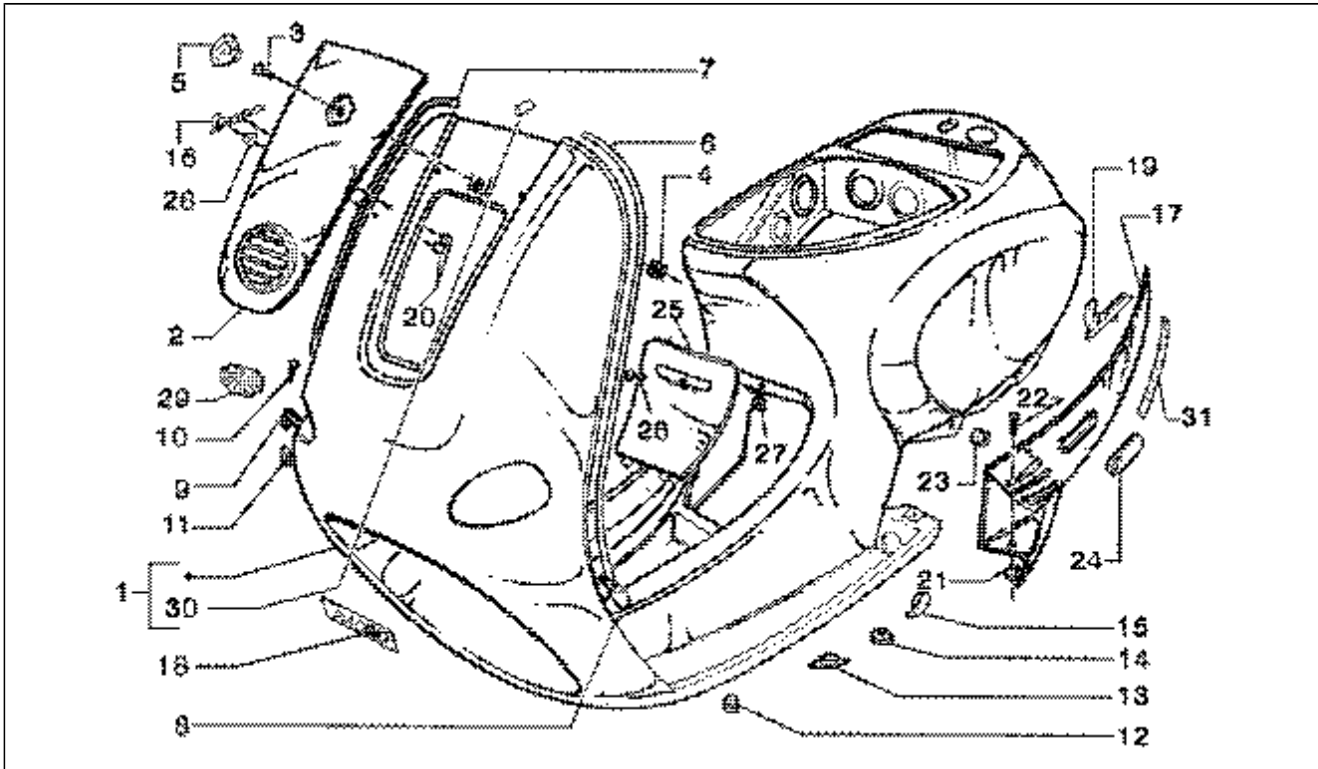
Pos.	Code	Description	Q.ty	Variants
17	82150000AA	Fairing	1	
17	82150000D9	Fairing	1	
17	82150000F2	Fairing	1	
17	82150000P1	Fairing	1	
17	82150000V8	Fairing	1	
17	82150000V9	Fairing	1	
17	82150000VA	Fairing	1	
17	8215005	Fairing	1	
17	8215005060	Fairing	1	
17	8215005066	Fairing	1	
17	8215005087	Fairing	1	
17	8215005090	Fairing	1	
17	8215005095	Fairing	1	
17	82150050A7	Fairing	1	
17	82150050B2	Fairing	1	
17	82150050D1	Fairing	1	
17	82150050F1	Fairing	1	
17	82150050R2	Fairing	1	
17	82150050R3	Fairing	1	
17	82150050R7	Fairing	1	
17	82150050V6	Fairing	1	
17	82160000AA	Fairing	1	
17	82160000D9	Fairing	1	
17	82160000F2	Fairing	1	
17	82160000P1	Fairing	1	
17	82160000V8	Fairing	1	
17	82160000V9	Fairing	1	
17	82160000VA	Fairing	1	

Assembly	Chassis
Code	T25
Description	Chasis
Revision	1



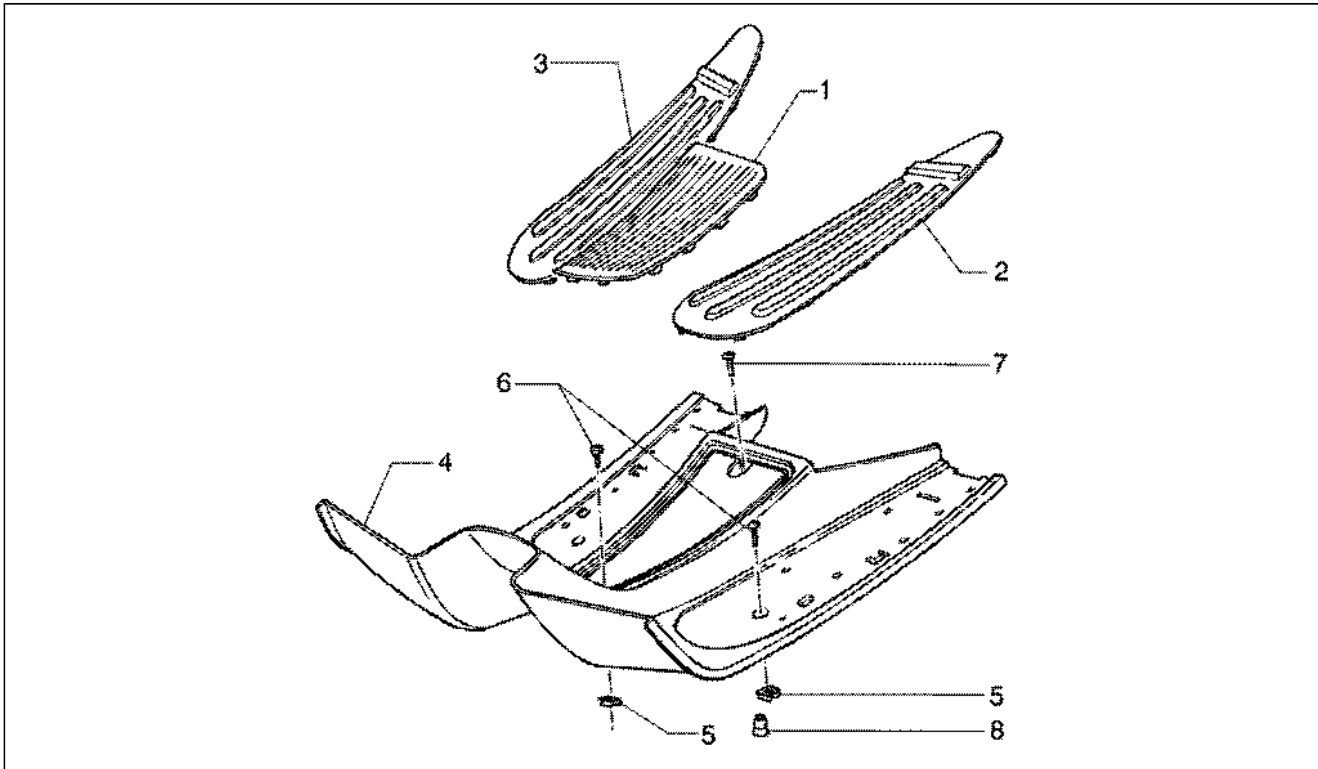
Pos.	Code	Description	Q.ty	Variants
17	8216005	Fairing	1	
17	8216005060	Fairing	1	
17	8216005066	Fairing	1	
17	8216005087	Fairing	1	
17	8216005090	Fairing	1	
17	8216005095	Fairing	1	
17	82160050A7	Fairing	1	
17	82160050B2	Fairing	1	
17	82160050D1	Fairing	1	
17	82160050F1	Fairing	1	
17	82160050R2	Fairing	1	
17	82160050R3	Fairing	1	
17	82160050R7	Fairing	1	
17	82160050V6	Fairing	1	
18	CM000402000N	"Piaggio" Plate	1	
18	CM0004020036	"Piaggio" Plate	1	
19	577081	"Vespa" name plate	1	
20	008108	Spring plate	2	
21	254485	Clip M6	2	
22	575249	Screw	2	
23	463195	Rubber spacer	6	
24	293556	Reflector	2	
25	47210000AA	Flap	1	
25	47210000D9	Spark plug insp. door	1	
25	47210000F2	Flap	1	
25	47210000P1	Flap	1	
25	47210000V8	Flap	1	
25	47210000V9	Flap	1	

Assembly	Chassis
Code	T25
Description	Chasis
Revision	1



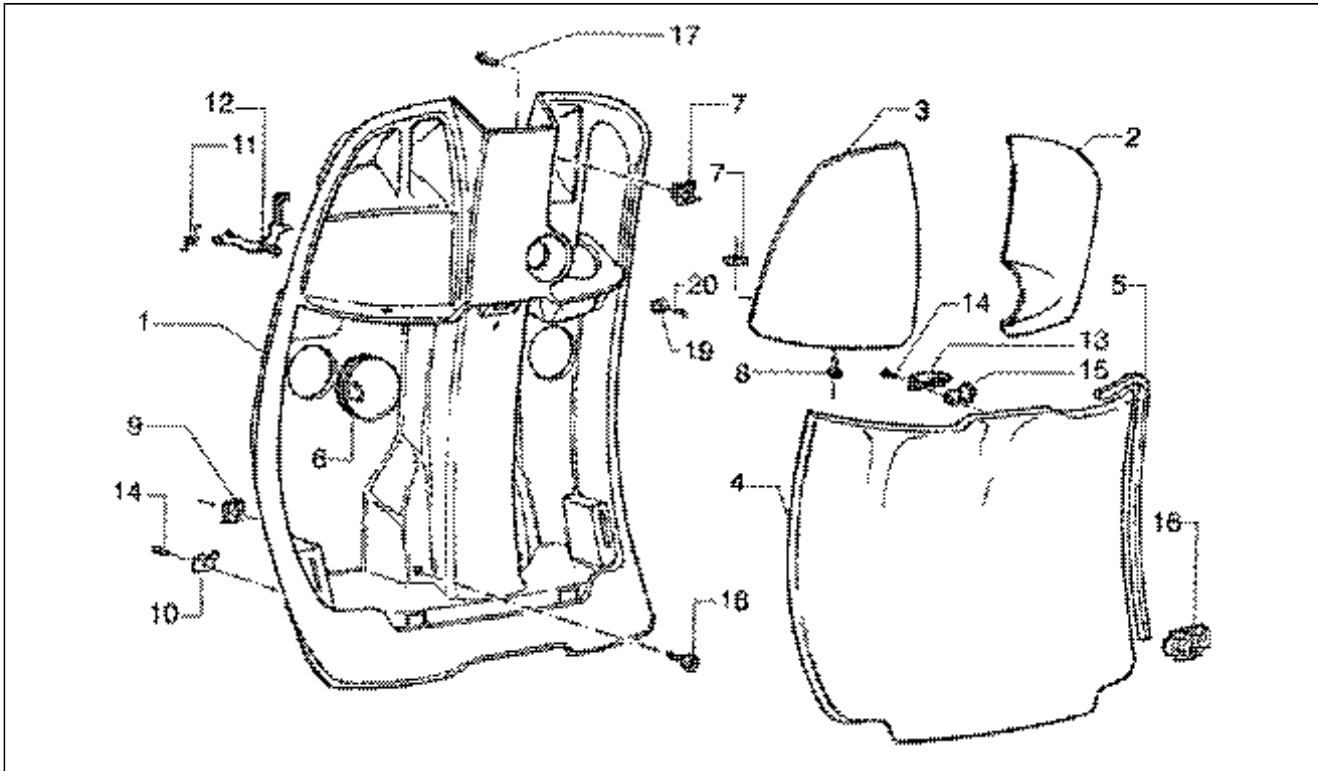
Pos.	Code	Description	Q.ty	Variants
25	47210000VA	Flap	1	
25	4721005	Flap	1	
25	4721005060	Flap	1	
25	4721005066	Flap	1	
25	4721005087	Flap	1	
25	4721005090	Flap	1	
25	4721005095	Flap	1	
25	47210050A7	Flap	1	
25	47210050B2	Flap	1	
25	47210050D1	Flap	1	
25	47210050F1	Flap	1	
25	47210050R2	Flap	1	
25	47210050R3	Flap	1	
25	47210050R7	Flap	1	
25	47210050V6	Flap	1	
26	015911	Screw	1	
27	008080	Plate	1	
28	271710	Washer	2	
29	576250	Name plate	1	
30	298604	Lock support	1	
31	575887	Packing	2	

Assembly	Chassis
Code	T26
Description	Footrest-rubber mats
Revision	1



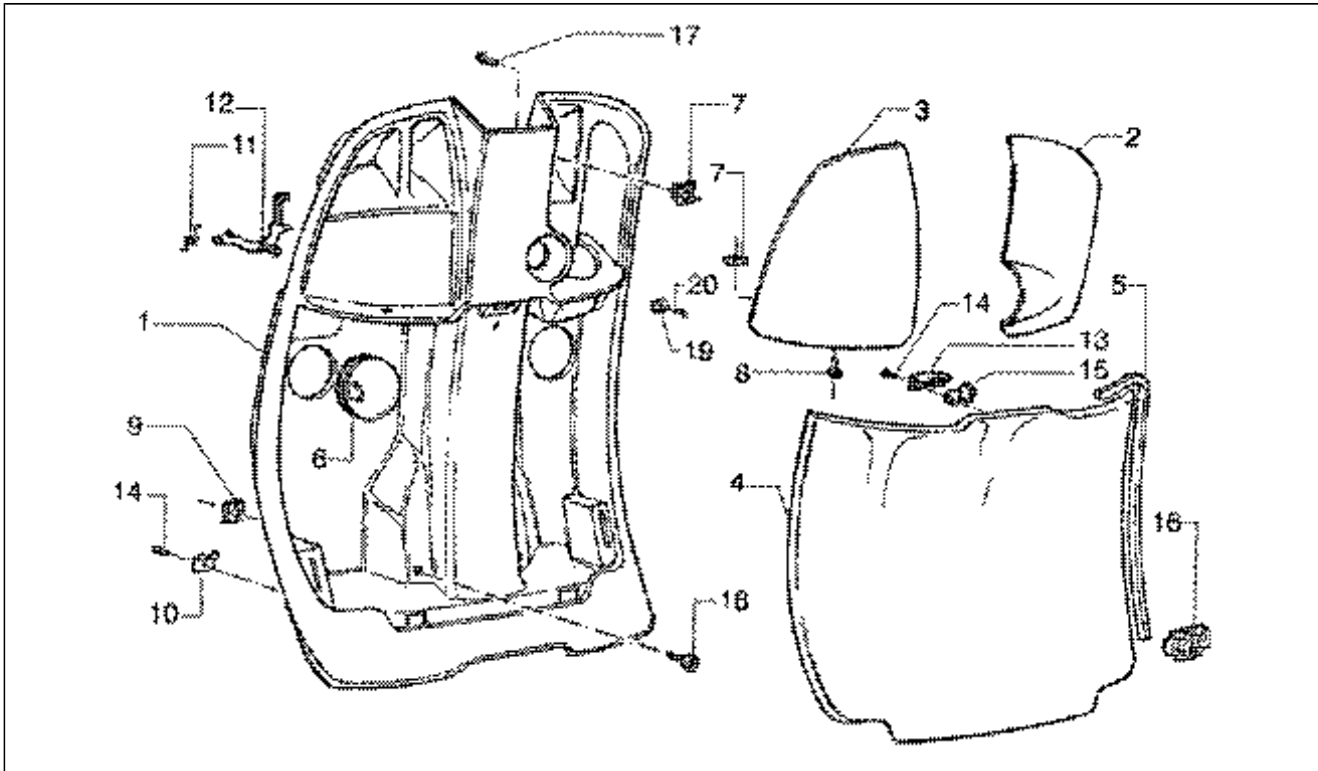
Pos.	Code	Description	Q.ty	Variants
1	298243	Mat	1	
2	298241	Mat	1	
3	298242	Mat	1	
4	82130000AA	Footrest	1	
4	82130000D9	Footrest	1	
4	82130000F2	Footrest	1	
4	82130000P1	Footrest	1	
4	82130000V8	Footrest	1	
4	82130000V9	Footrest	1	
4	82130000VA	Footrest	1	
4	8213005	Footrest	1	
4	8213005060	Footrest	1	
4	8213005066	Footrest	1	
4	8213005087	Footrest	1	
4	8213005090	Footrest	1	
4	8213005095	Footrest	1	
4	82130050A7	Footrest	1	
4	82130050B2	Footrest	1	
4	82130050D1	Footrest	1	
4	82130050F1	Footrest	1	
4	82130050R2	Footrest	1	
4	82130050R3	Footrest	1	
4	82130050R7	Footrest	1	
4	82130050V6	Footrest	1	
5	254485	Clip M6	2	
6	575249	Screw	2	
7	270793	Screw	1	
8	199190	Rubber spacer	1	

Assembly	Chassis
Code	T27
Description	Front glove compartment
Revision	1



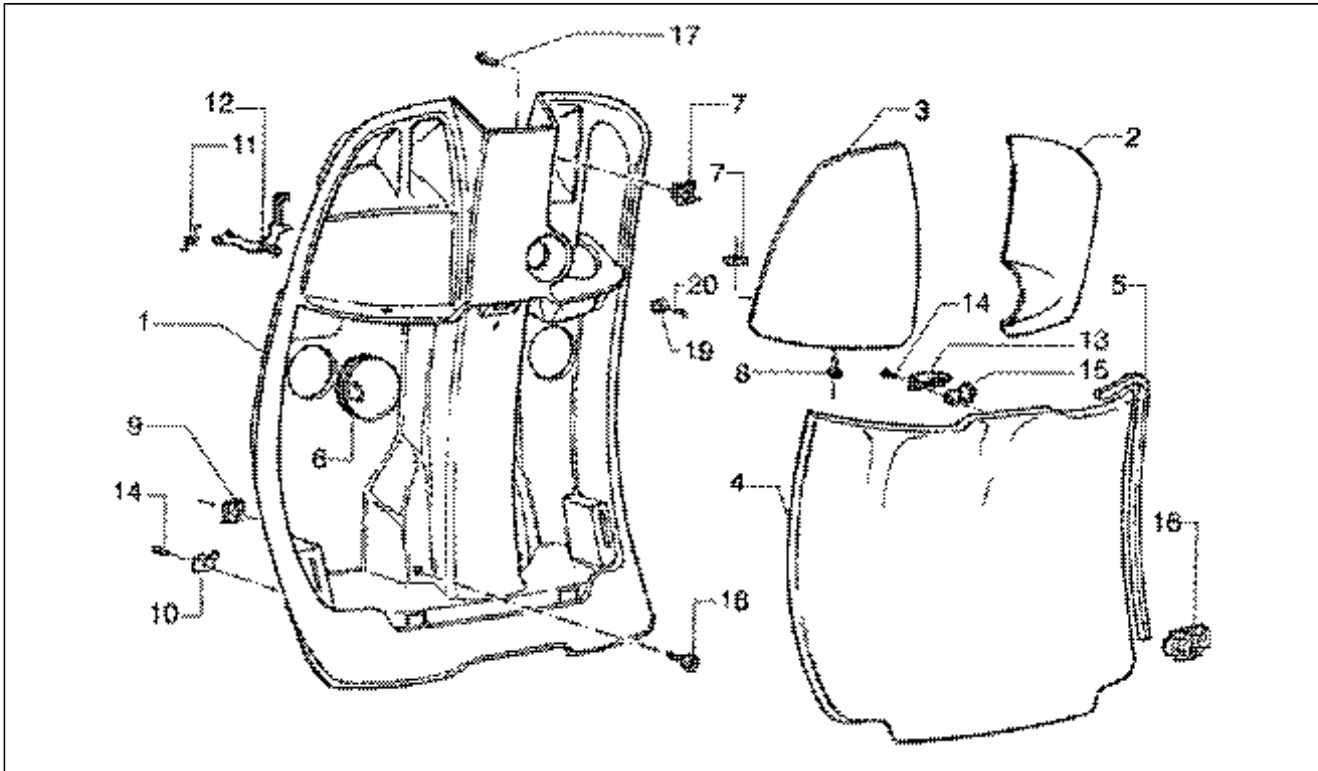
Pos.	Code	Description	Q.ty	Variants
1	CM00360200AA	Top box	1	
1	CM00360200D9	Top box	1	
1	CM00360200P1	Front glove comp.	1	
1	CM00360200V8	Front glove comp.	1	
1	CM00360200V9	Front glove comp.	1	
1	CM00360200VA	Front glove comp.	1	
1	CM0036025	Front glove comp.	1	
1	CM0036025060	Front glove comp.	1	
1	CM0036025066	Front glove comp.	1	
1	CM0036025087	Top box	1	
1	CM0036025090	Front glove comp.	1	
1	CM0036025095	Front glove comp.	1	
1	CM00360250A7	Front glove comp.	1	
1	CM00360250B2	Front glove comp.	1	
1	CM00360250D1	Front glove comp.	1	
1	CM00360250F1	Front glove comp.	1	
1	CM00360250R2	Front glove comp.	1	
1	CM00360250R3	Front glove comp.	1	
1	CM00360250R7	Front glove comp.	1	
1	CM00360250V6	Front glove comp.	1	
2	297277	Flap	1	
2	575424000L	Flap	1	
2	5754240060	Flap	1	
2	57542400D6	Flap	1	
2	57542400M1	Flap	1	
2	57542400M2	Flap	1	
3	297276	Flap	1	
3	575425000L	Flap	1	

Assembly	Chassis
Code	T27
Description	Front glove compartment
Revision	1



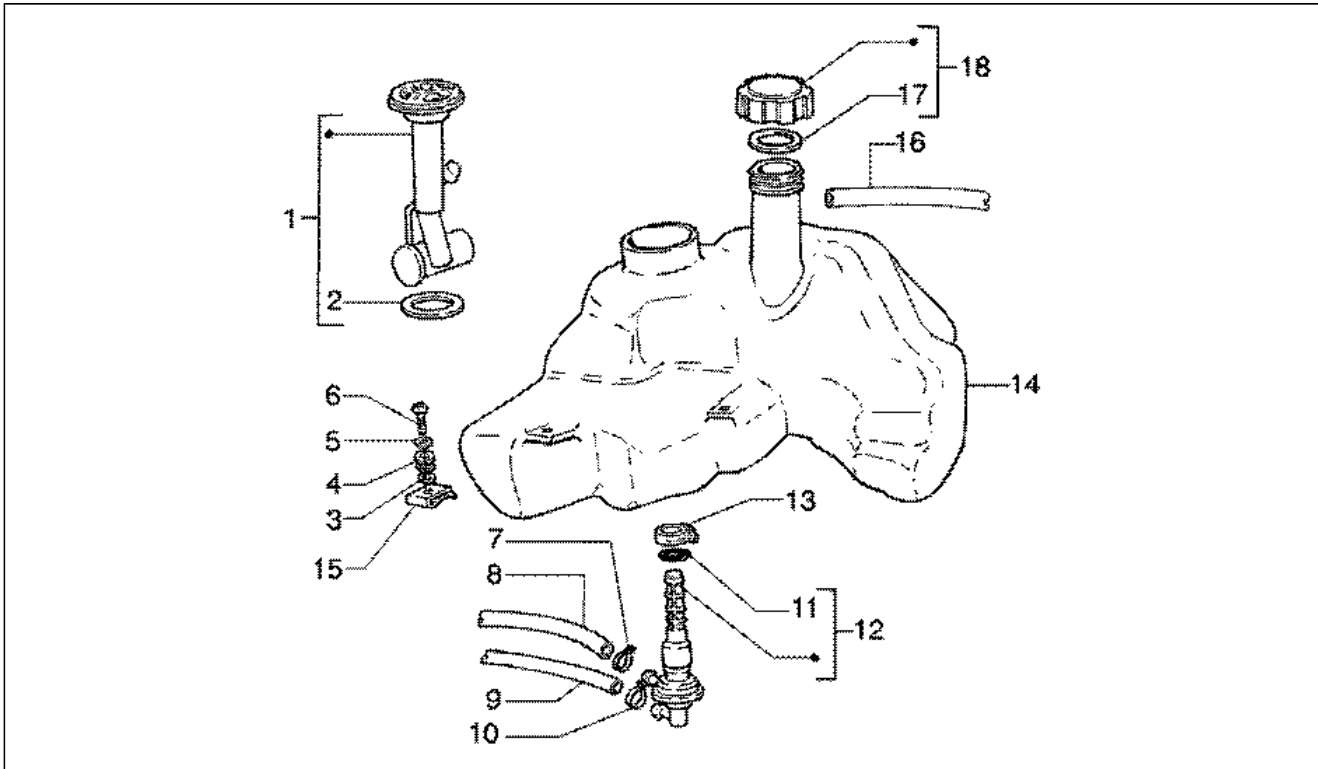
Pos.	Code	Description	Q.ty	Variants
3	5754250060	Flap	1	
3	57542500D6	Flap	1	
3	57542500M1	Flap	1	
3	57542500M2	Flap	1	
4	82120000AA	Flap	1	
4	82120000D9	Flap	1	
4	82120000F2	Flap	1	
4	82120000P1	Flap	1	
4	82120000V8	Flap	1	
4	82120000V9	Flap	1	
4	82120000VA	Flap	1	
4	8212005	Flap	1	
4	8212005060	Flap	1	
4	8212005066	Flap	1	
4	8212005087	Flap	1	
4	8212005090	Flap	1	
4	8212005095	Flap	1	
4	82120050A7	Flap	1	
4	82120050B2	Flap	1	
4	82120050D1	Flap	1	
4	82120050F1	Flap	1	
4	82120050R2	Flap	1	
4	82120050R3	Flap	1	
4	82120050R7	Flap	1	
4	82120050V6	Flap	1	
5	297275	Gasket	1	
6	294067	Plug	2	
7	184142	Clip	4	

Assembly	Chassis
Code	T27
Description	Front glove compartment
Revision	1



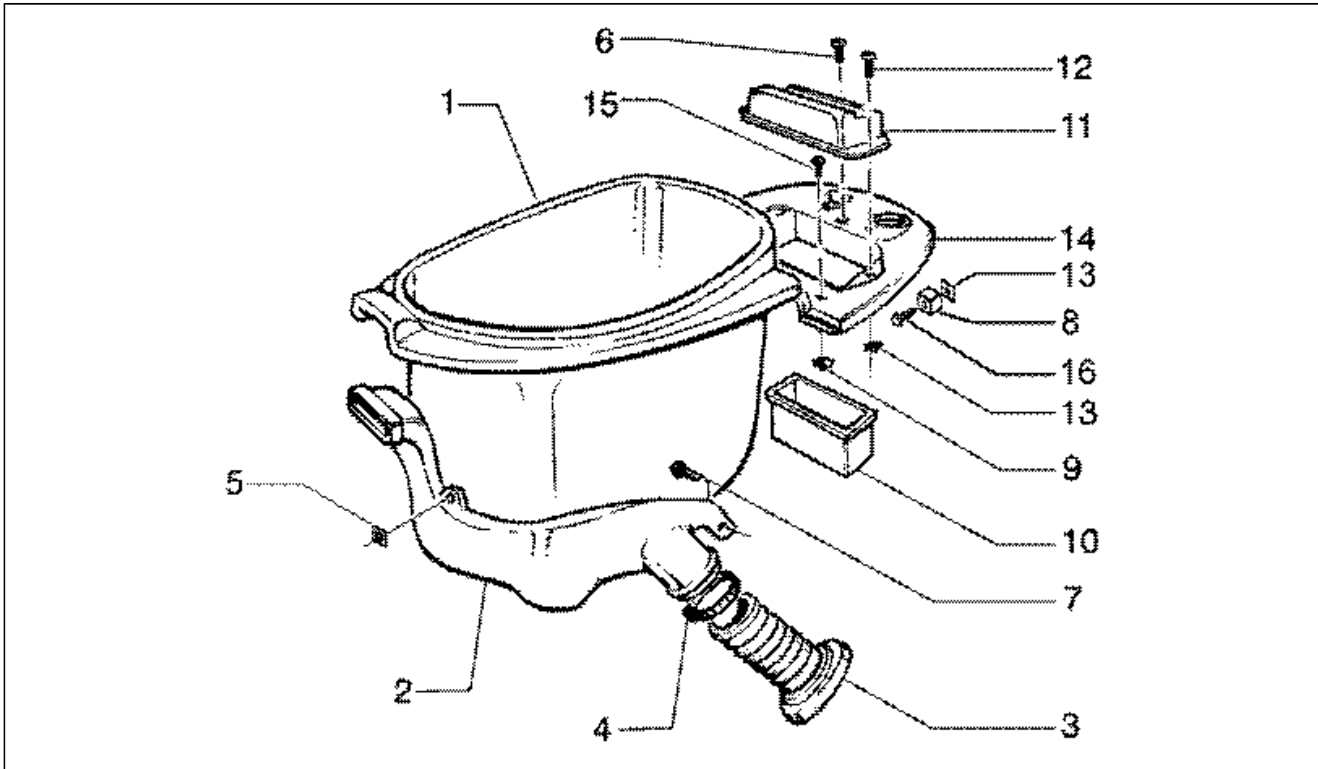
Pos.	Code	Description	Q.ty	Variants
8	259349	Screw	2	
9	254485	Clip M6	2	
10	257614	Square	1	
11	257617	Spring	1	
12	295528	Hook	1	
13	252420	Plate	1	
14	254485	Clip M6	1	
14	268596	Screw	4	
15	013880	Washer	2	
15	573057	Clip	1	
16	577124	"150 4TEMPI" name plate	1	
17	258249	Screw	2	
18	575249	Screw	3	
19	290405	Bracket	1	
20	182302	Rivet	1	

Assembly	Chassis
Code	T28
Description	Fuel tank
Revision	1



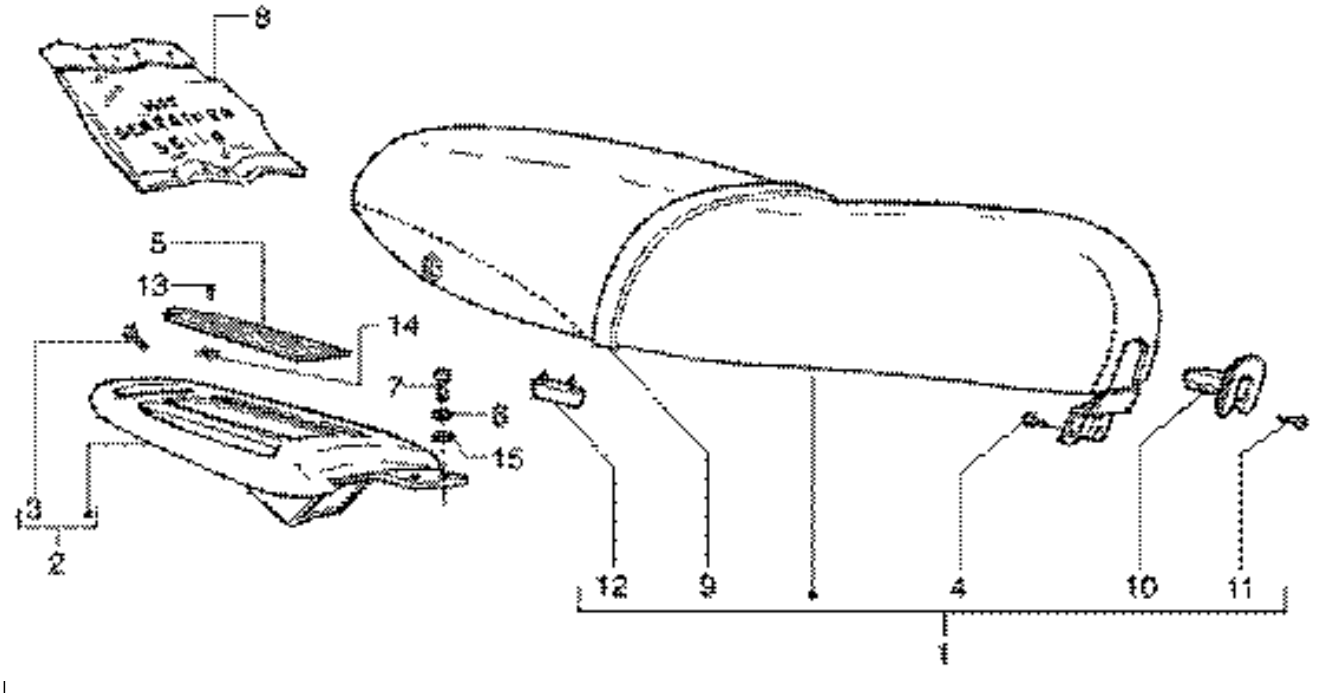
Pos.	Code	Description	Q.ty	Variants
1	299570	Level gauge	1	
1	CM066902	Level gauge	1	
1	CM075602	Indicator fuel level	1	
2	258161	Gasket	1	
3	257302	Spacer	2	
4	257301	Drift	2	
5	179575	Washer	2	
6	257403	Screw	2	
7	CM002904	Hose clamp	1	
8	CM006104	Pipe	1	
9	296230	Breather pipe	1	
10	CM002902	Hose clamp	1	
11	196868	Gasket	1	
12	575320	Cock	1	
13	577557	Hose clamp	1	
14	576875	Tank	1	
15	254485	Clip M6	3	
16	CM001215	Pipe	1	
17	258160	Gasket	1	
18	259832	Tank cap	1	

Assembly	Chassis
Code	T29
Description	Case helmet
Revision	1



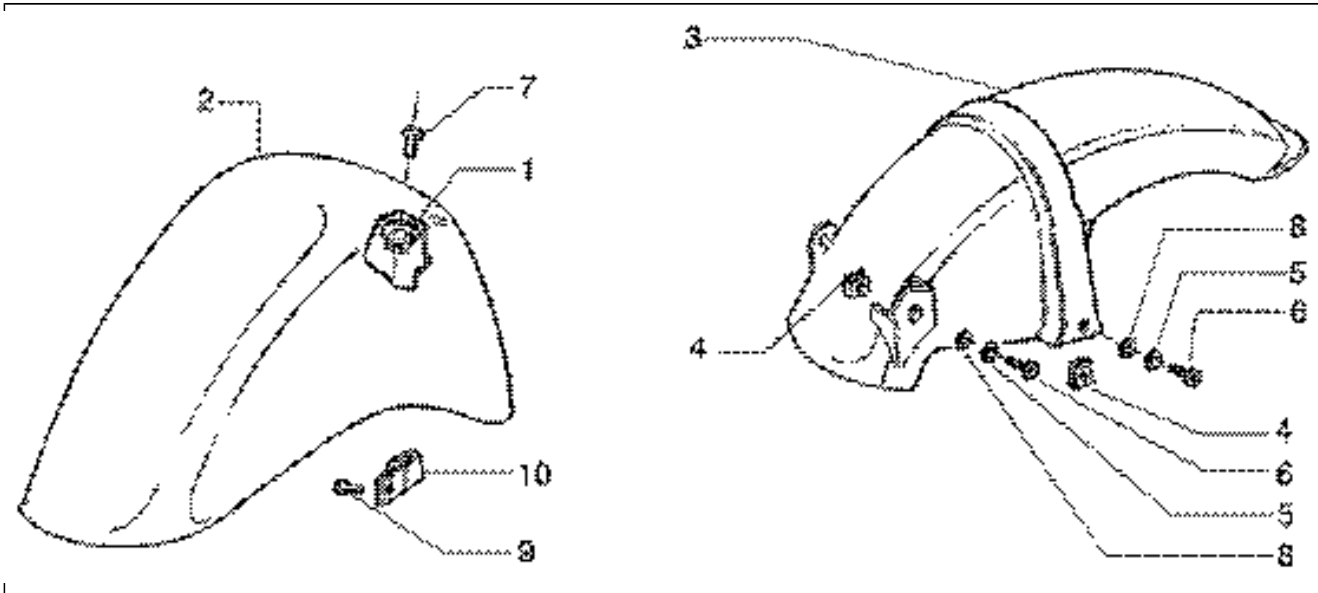
Pos.	Code	Description	Q.ty	Variants
1	574423	Helmet compartment	1	
2	298620	Intake pipe	1	
3	829120	Bellows	1	
4	109960	Hose clamp	1	
5	254485	Clip M6	1	
6	259830	Screw m6x22	2	
7	259830	Screw m6x22	1	
8	290405	Bracket	1	
9	008080	Plate	2	
10	299047	Float chamber	1	
10	573128	Float chamber	1	
11	573124	Flap	1	
11	576017	Flap	1	
12	259349	Screw	1	
13	184142	Clip	2	
14	CM003802	Tyre	1	
15	259372	Screw	2	
16	182302	Rivet	1	

Assembly	Chassis
Code	T30
Description	Saddle
Revision	1



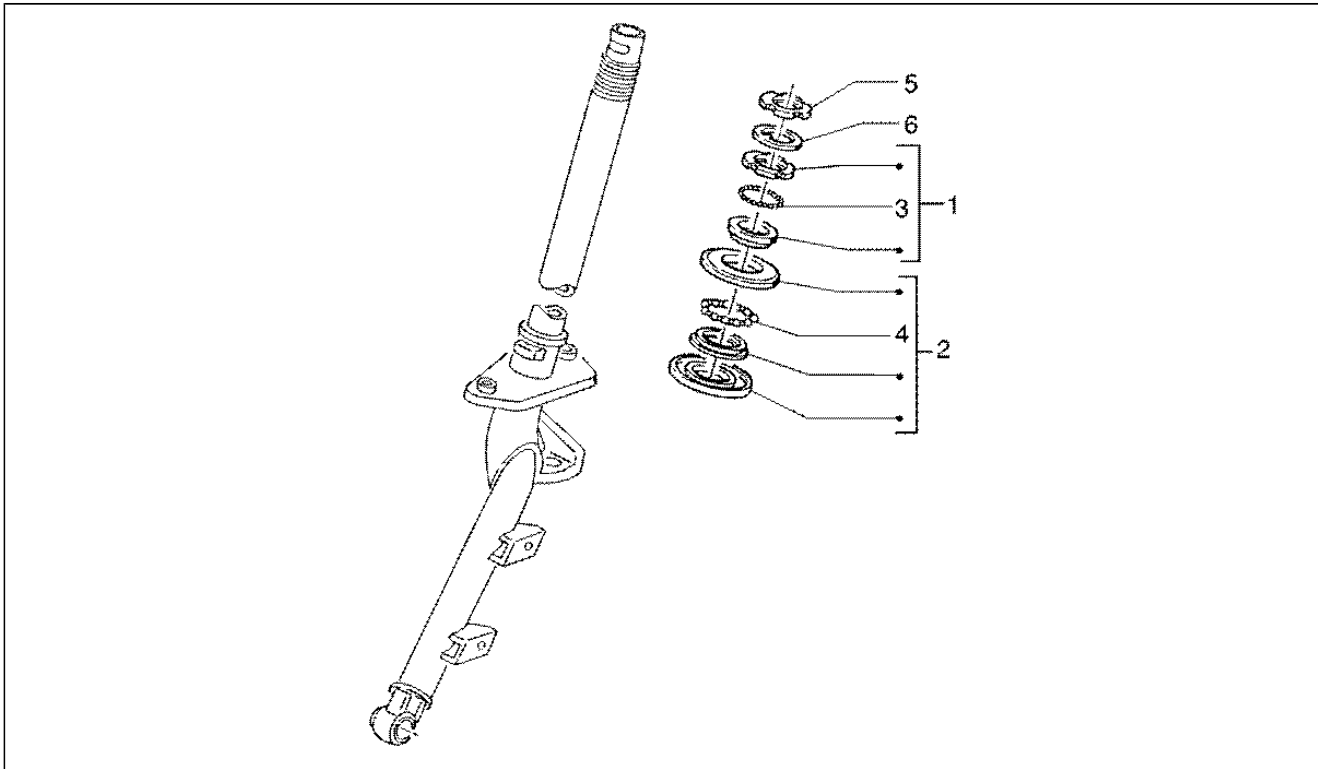
Pos.	Code	Description	Q.ty	Variants
1	CM0009020054	Saddle	1	
1	CM0009020055	Saddle	1	
1	CM0009020056	Saddle	1	
1	CM0009020061	Lh door	1	
1	CM0195010054	Saddle	1	
1	CM0195010056	Saddle	1	
1	CM0195010061	Saddle	1	
2	573633	Luggage rack	1	
3	015715	TBIC screw M5x12	2	
4	259830	Screw m6x22	2	
5	577545	Plug	1	
6	016406	Washer	2	
7	812592	Screw	2	
8	494511	Lock,assy	1	
10	494634	Hook for bag	1	
11	015911	Screw	2	
12	296456	Drift	2	
13	259830	Screw m6x22	1	
14	254485	Clip M6	1	
15	013880	Washer	2	

Assembly	Chassis
Code	T31
Description	Front and rear mudguard
Revision	1



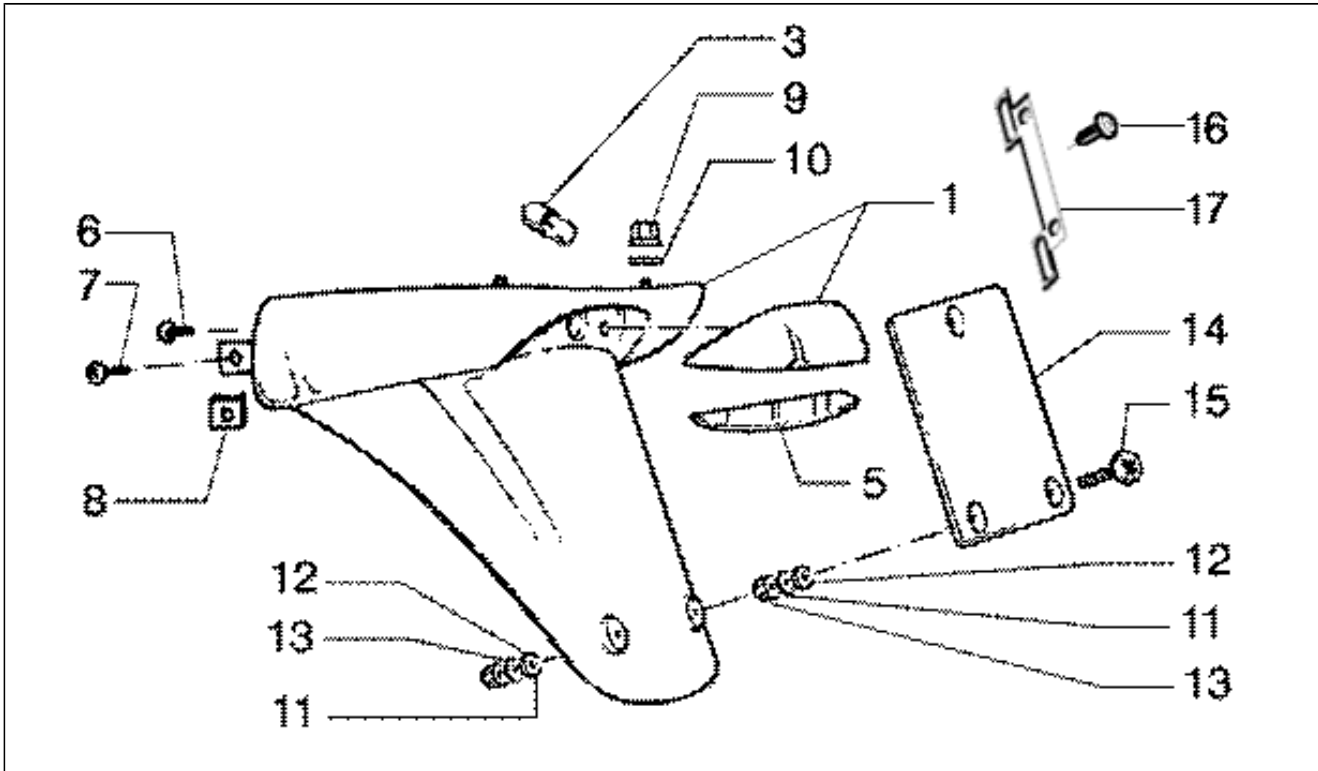
Pos.	Code	Description	Q.ty	Variants
1	288245	Flanged nut M6	3	
2	82490000AA	Front mudguard	1	
2	82490000D9	Front mudguard	1	
2	82490000F2	Front mudguard	1	
2	82490000P1	Front mudguard	1	
2	82490000V8	Front mudguard	1	
2	82490000V9	Front mudguard	1	
2	82490000VA	Front mudguard	1	
2	8249005	Front mudguard	1	
2	8249005060	Front mudguard	1	
2	8249005066	Front mudguard	1	
2	8249005087	Front mudguard	1	
2	8249005090	Front mudguard	1	
2	8249005095	Front mudguard	1	
2	82490050A7	Front mudguard	1	
2	82490050B2	Front mudguard	1	
2	82490050D1	Front mudguard	1	
2	82490050F1	Front mudguard	1	
2	82490050R2	Front mudguard	1	
2	82490050R3	Front mudguard	1	
2	82490050R7	Front mudguard	1	
2	82490050V6	Front mudguard	1	
3	575079	Rear mudguard	1	
4	254485	Clip M6	2	
5	012533	Washer 6,6x11x0	2	
6	018640	Screw	2	
7	575249	Screw	3	
8	003056	Washer 6,4x12x1	1	
9	015900	Screw	1	
10	562919	Hose clamp	1	

Assembly	Chassis
Code	T32
Description	Steering bearing ball tracks
Revision	1



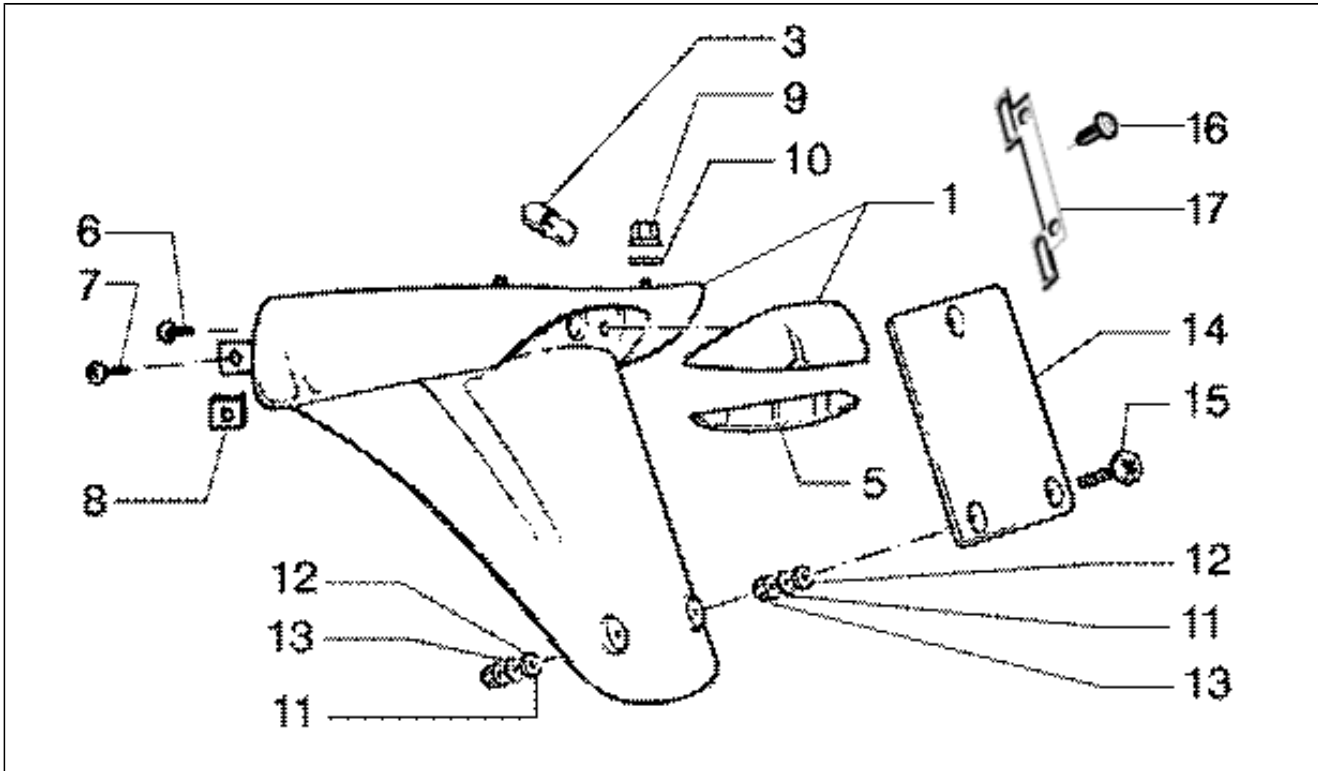
Pos.	Code	Description	Q.ty	Variants
1	56002R	Steering bearing assy.	1	
2	56003R	Steering bearing assy.	1	
3	077024	Ball cage	1	
3	564257	Ball cage	1	
4	077023	Ball cage	1	
4	564260	Ball cage	1	
5	289955	Ring nut	1	
6	003751	Washer	1	
6	582787	Steering security plate	1	

Assembly	Chassis
Code	T43
Description	Rear guard
Revision	1



Pos.	Code	Description	Q.ty	Variants
1	57364000AA	Tyre	1	
1	57364000D9	Tyre	1	
1	57364000F2	Tyre	1	
1	57364000P1	Rear guard	1	
1	57364000V8	Rear guard	1	
1	57364000V9	Rear guard	1	
1	57364000VA	Rear guard	1	
1	5736405	Rear guard	1	
1	5736405060	Rear guard	1	
1	5736405066	Rear guard	1	
1	5736405087	Rear guard	1	
1	5736405090	Rear guard	1	
1	5736405095	Rear guard	1	
1	57364050A7	Rear guard	1	
1	57364050B2	Rear guard	1	
1	57364050D1	Rear guard	1	
1	57364050F1	Rear guard	1	
1	57364050R2	Rear guard	1	
1	57364050R3	Rear guard	1	
1	57364050R7	Rear guard	1	
1	57364050V6	Rear guard	1	
3	292022	Lamp WY5W	1	
5	294835	Glass	1	
6	265809	Screw	2	
7	259349	Screw	2	
8	008080	Plate	2	
9	003056	Washer 6,4x12x1	2	
10	288245	Flanged nut M6	2	

Assembly	Chassis
Code	T43
Description	Rear guard
Revision	1



Pos.	Code	Description	Q.ty	Variants
11	013763	Washer	3	
12	016404	Washer	3	
13	020104	Nut	3	
14	580125	Number plate holder	1	
14	581371	Number plate holder	1	
15	018591	Screw	3	
16	268596	Screw	4	
17	584877	Extension	2	